

K5A2 Series Snap Action Key Switch



Features/Benefits

- Quiet actuation
- Space Saving
- RoHS compliant

Typical Applications

- Automotive
- Computers and network equipment

Construction

FUNCTION: Momentary action
CONTACT ARRANGEMENT: Normally open
TERMINALS: Gullwing type for SMT

Mechanical

OPERATING FORCE: (6N version) 5,5 + 0,5 -1N
3,7 + 0,8N -0,5N
OPERATING LIFE: 50,000 operations
TOTAL TRAVEL: 0.8 mm +/- 0.2 mm
ELECTRICAL TRAVEL: 0,5 mm +/- 0.1 mm

Packaging

Switches are delivered on continuous tape, in reels of 600 pieces

Note: Specifications listed above are for switches with standard options.
For information on specific and custom switches, consult Customer Service Center.

Gold

Silver

Electrical

POWER MIN / MAX:	.02 VA / 1 VA	.02 VA / 1 VA
VOLTAGE MIN / MAX:	20 mVDC/50 VDC	20 mVDC/50 VDC
CURRENT MIN / MAX DC:	10µA / 100 mA	1 mA / 100 mA
CONTACT RESISTANCE:	≤ 100 mΩ	≤ 100 mΩ
INSULATION RESISTANCE:	≥ 1GΩ	≥ 1GΩ
BOUNCE TIME:	5 ms	5 ms

Environmental

OPERATING TEMPERATURE:	-40°C to +105°C	-40°C to +85°C
STORAGE TEMPERATURE:	-50°C to +125°C	-50°C to +95°C

Process

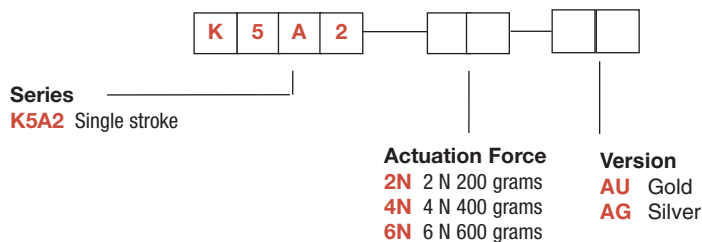
SOLDERING: Lead Free reflow compatible in accordance with CEI 60068-2-58 and Nr. 8GD000004

Materials

CONTACTS:	Au over Ni-layer	Ag on Ni-layer
SOLDERING PINS:	Au	Ag
HOUSING:	Thermoplastic UL 94 H-B	

How To Order

Our easy build-a-switch concept allows you to mix and match options to create the switch you need. To order, select desired option from each category and place it in the appropriate box.



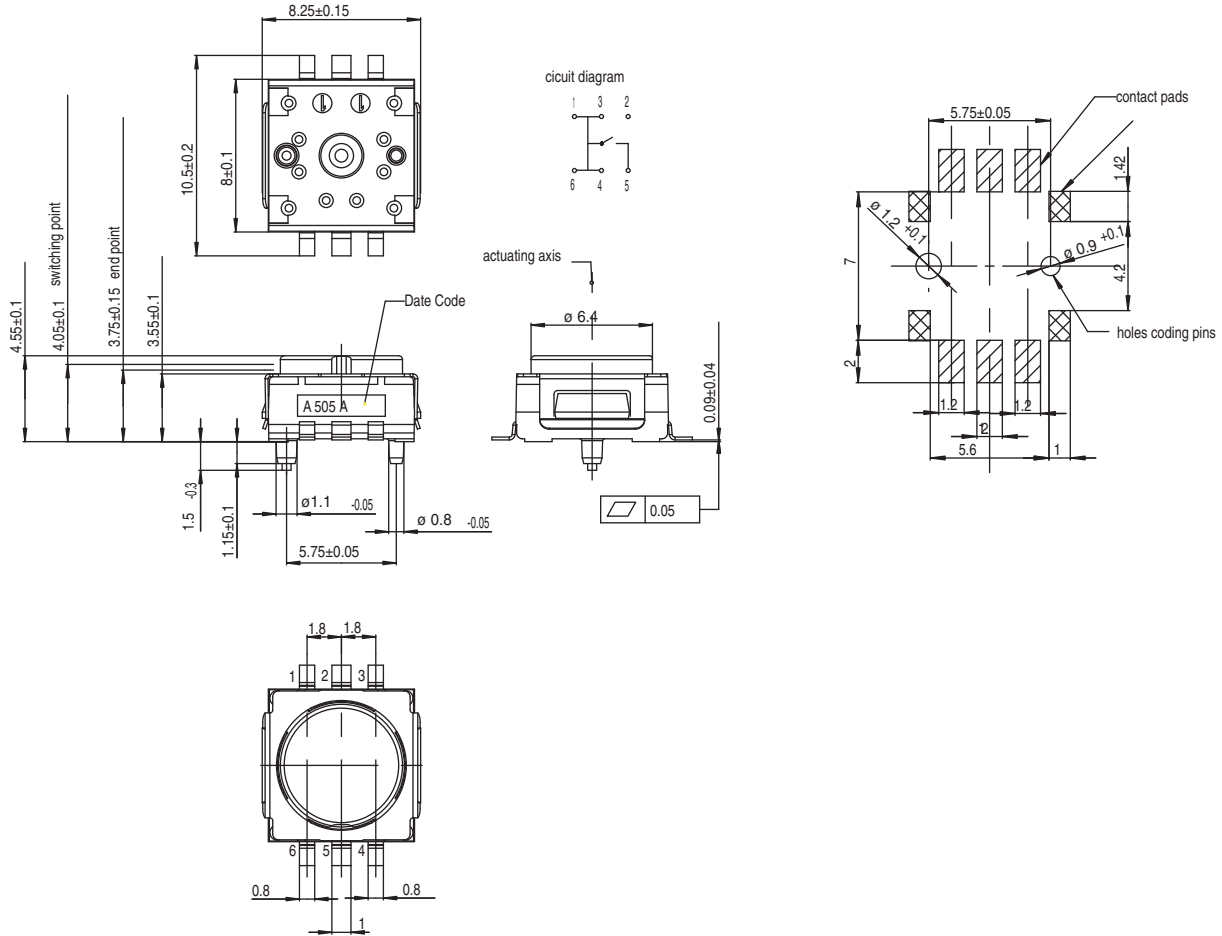
E

Key Switches

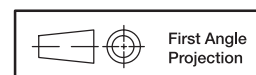
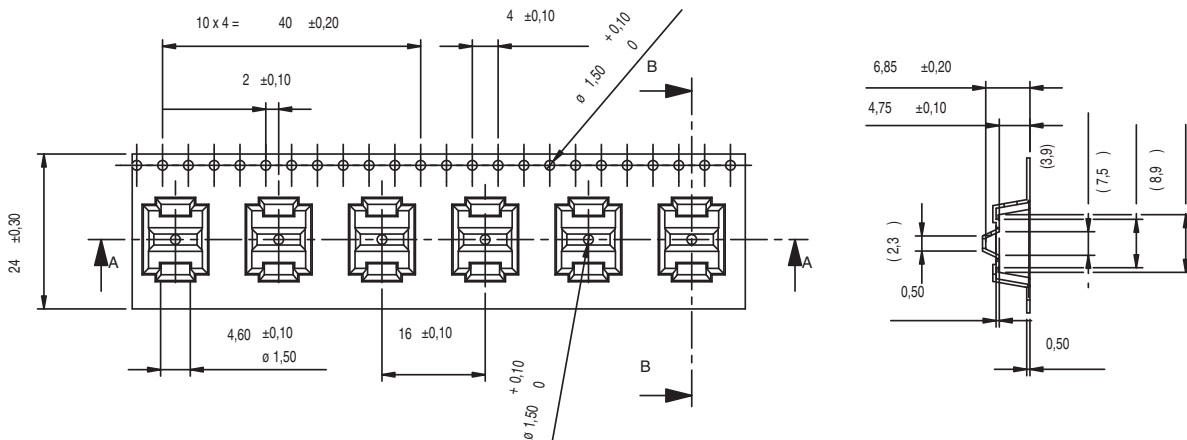
K5A2 Series Snap Action Key Switch

K5A2 SINGLE STROKE VERSION

PCB LAYOUT, MOUNTING SIDE



Tape and Reel



Dimensions are shown: mm (inch)
Specifications and dimensions subject to change

www.ck-components.com