

# K5G Series Snap Action Key Switch



### Features/Benefits

- Double stroke version
- Excellent tactile feel
- Low profile
- Quiet actuation
- RoHS compliant

### Typical Applications

- Automotive
  - Window lift
  - Sun-roof control
- Multi-function devices

### Construction

FUNCTION: Momentary action  
 CONTACT ARRANGEMENT: 2 make contacts, SPST  
 TERMINALS: Gullwing type for SMT

### Mechanical

OPERATING FORCE FIRST STROKE: 3.7 + 0,8 - 0,5N  
 OPERATING FORCE SECOND STROKE: 6.5 N + 0.8 - 0,5N  
 ELECTRICAL TRAVEL FIRST STROKE: 0,5 mm  
 ELECTRICAL TRAVEL SECOND STROKE: 0,85 mm  
 TOTAL TRAVEL: 1 mm  
 OPERATING LIFE: 30,000 actuations

### Packaging

Switches are delivered on continuous tape, in reels of 500 pieces

**NOTE:** Specifications listed above are for switches with standard options.  
 For information on specific and custom switches, consult Customer Service Center.

### Electrical

	Gold	Silver
POWER MIN / MAX:	.02 VA / 1 VA	.02 VA / 1 VA
VOLTAGE MIN / MAX:	20 mVDC/50 VDC	20 mVDC/50 VDC
CURRENT MIN / MAX DC:	10µA / 100 mA	1 mA / 100 mA
CONTACT RESISTANCE:	≤ 100 mΩ	≤ 100 mΩ
INSULATION RESISTANCE:	≥ 1GΩ	≥ 1GΩ
BOUNCE TIME:	5 ms	5 ms

### Environmental

OPERATING TEMPERATURE:	-40°C to +105°C	-40°C to +85°C
STORAGE TEMPERATURE:	-50°C to +125°C	-50°C to +95°C

### Process

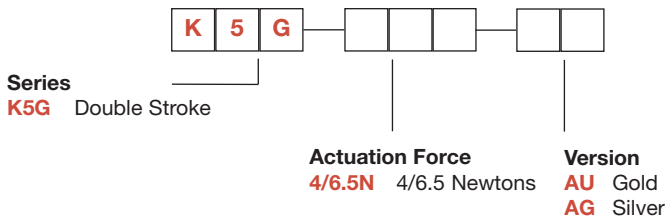
SOLDERING: Lead Free reflow compatible in accordance with CEI 60068-2-58 and Nr. 8GD000004

### Materials

CONTACTS:	Au over Ni-layer	Ag on Ni-layer
SOLDERING PINS:	Au	Ag
HOUSING:	Thermoplastic UL 94 H-B	

### How To Order

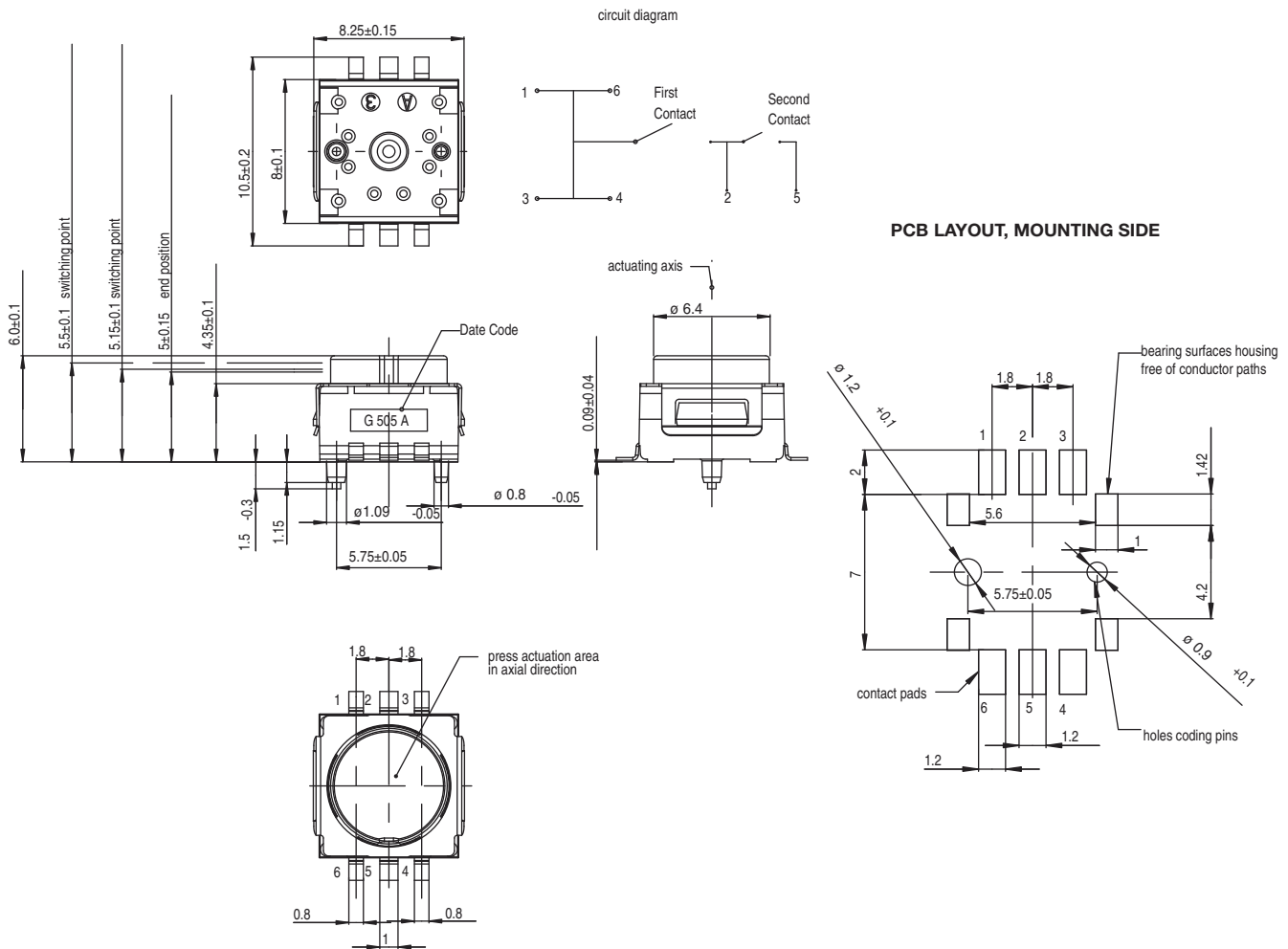
Our easy build-a-switch concept allows you to mix and match options to create the switch you need. To order, select desired option from each category and place it in the appropriate box.



Key Switches

# K5G Series Snap Action Key Switch

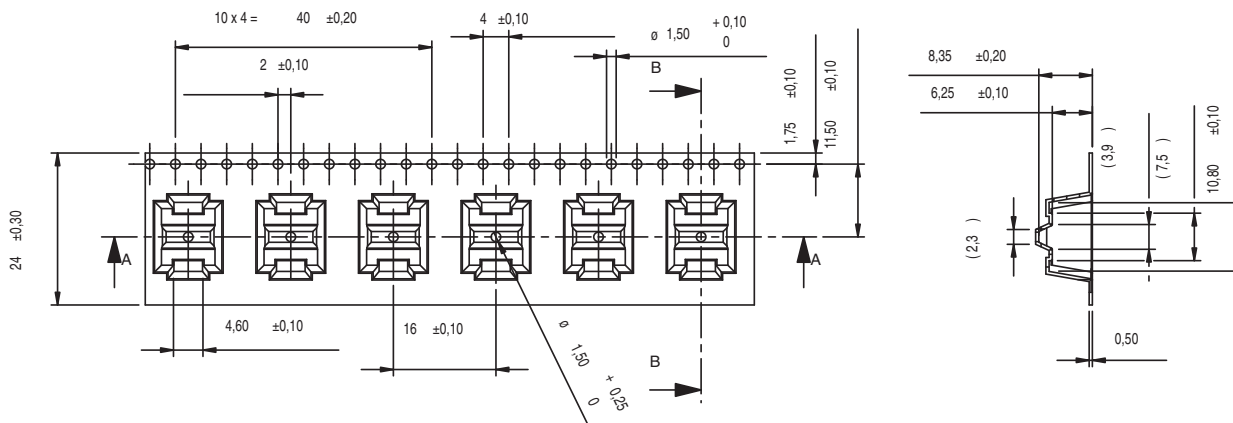
**K5G** DOUBLE STROKE VERSION



D

Key Switches

## Tape and Reel



Dimensions are shown: mm  
Specifications and dimensions subject to change

