



Features

- High bright LED's
- Gold plated dome contact offering superior contact reliability in time
- Excellent ergonomics: sharp tactile feel and audible click
- Reduced space usage on board "2 in 1"
- 40 N overload
- Tape and reel
- RoHS compliant and compatible

Typical Applications

- Application requiring illumination
- Server, storage
- Network infrastructure
- Telecom
- Medical

Specification

FUNCTION: momentary action
 CONTACT ARRANGEMENT: Normally Open
 TERMINALS: SMT with positioning pegs as an option

Mechanical

Type	Operating force FA ¹ Newtons (grams)	Operating life (operations)	Travel (total travel) mm(mm)
K5AT WH 43GP	4.0 (400)	100,000	0,5 (0.8)

¹ Tolerances of operating force FA is ± 25%.

Packaging

180 or 900 pieces per reel
 Reel dim. 180mm or 380mm

Electrical

POWER MIN/MAX: 0.02VA / 1.0VA
 VOLTAGE MIN/MAX: 20mVdc – 32 Vdc
 CURRENT MIN/MAX: 0.1mA – 100mA
 CONTACT RESISTANCE: <100m Ω
 INSULATION RESISTANCE: >1G Ω initial, >10M Ω after damp heat
 BOUNCE TIME: <10ms

Environmental

OPERATING TEMPERATURE: -40°C to 125°C
 STORAGE TEMPERATURE: -55°C to 125°C
 RELATIVE HUMIDITY: 90 to 96% according to NF EN 60068-2-30
 PROTECTION: dust protection and flux tight (IP 40)
 OVERLOAD: 40N min

Process

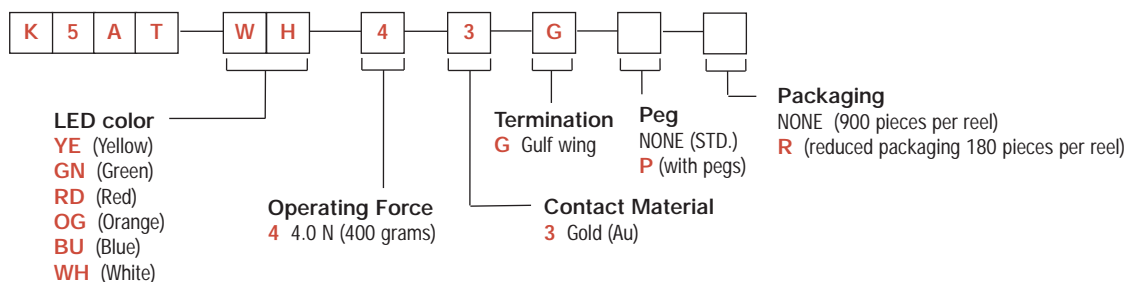
SOLDERING: Compatible with the lead free soldering profile.
 No washing

Materials

LEAD FREE
 CONTACTS: Au over Ni
 SOLDERING: Au over Ni
 HOUSING: Thermoplastic UL94 VO
 LED: type P-LCC-2

How To Order

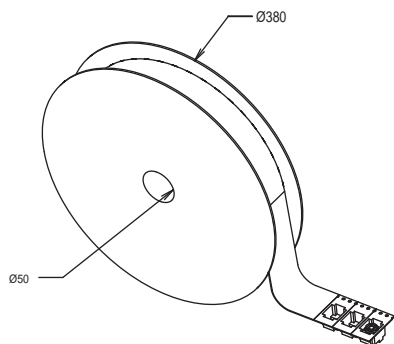
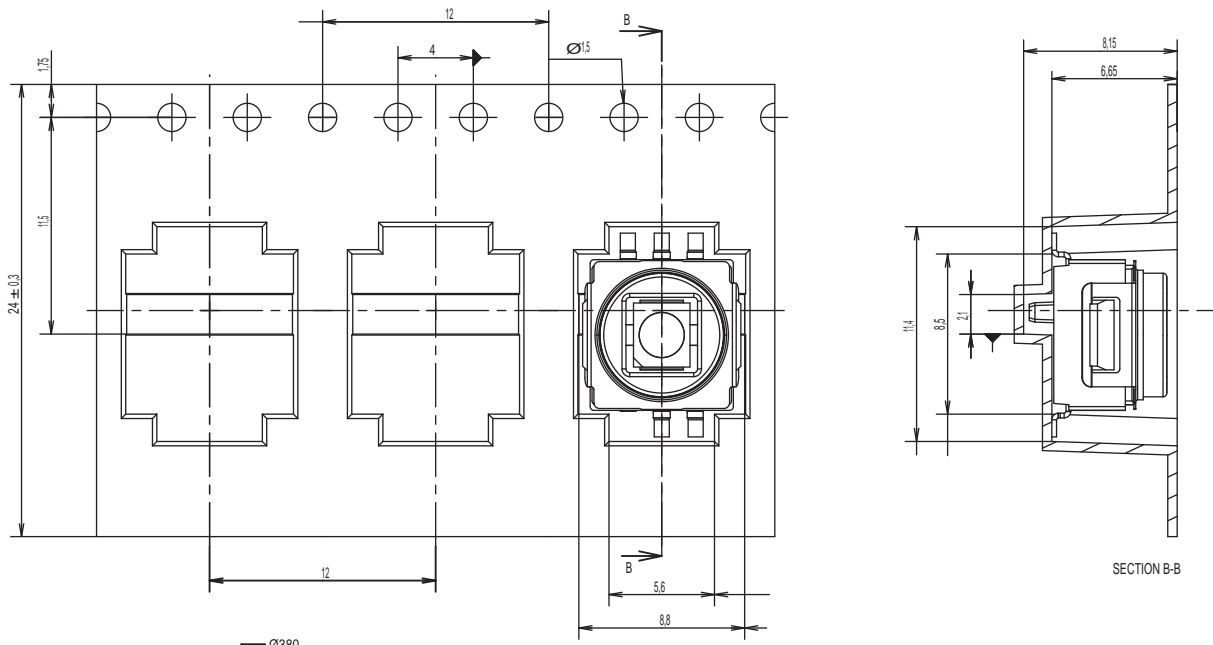
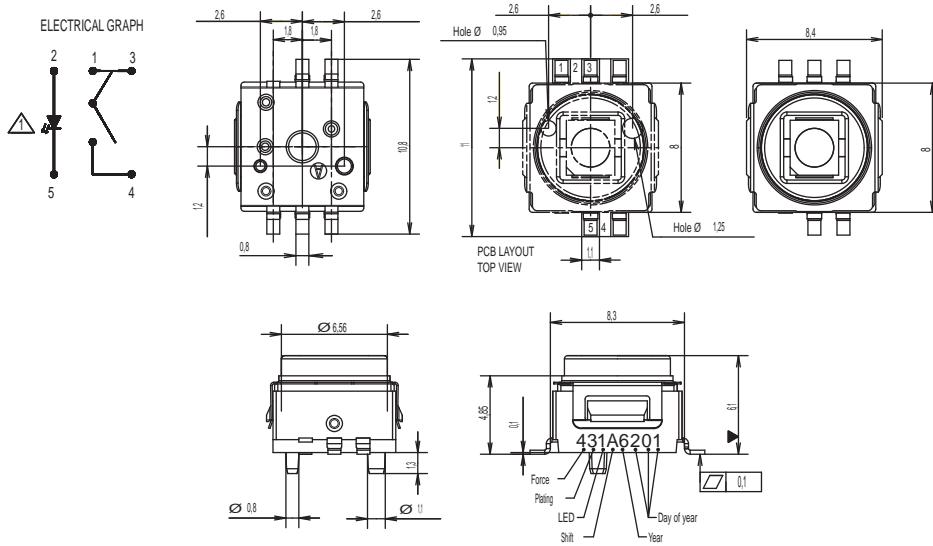
Our easy build-a-switch concept allows you to mix and match options to create the switch you need. To order, select desired option from each category and place it in the appropriate box.



K5AT Lighted SMT Tact Switch

K5AT

Tactile Switches



Dimensions shown in: mm (inch)
Specifications and dimensions subject to change

www.ck-components.com