

# K5V Right Angle Lighted SMT Tact Switch

## Features

- Gold plated dome contact SPST/SPDT
- Excellent ergonomics
- High bright leds
- Reduced space usage on board
- 40 N overload
- Tape and reel
- RoHS compliant and compatible

## Typical Applications

- When backlighting and switch are required to be a "2 in 1" component
- The dome contact secures a superior contact reliability in time
- The ergonomics of K5V provides a long travel, a sharp tactile feel and an audible click
- Server, storage, automotive, network infrastructure, medical



B

Tactile Switches

## Specification

FUNCTION: momentary action  
CONTACT ARRANGEMENT: Normally Open + Normally Closed  
TERMINALS: SMT with positioning pegs

## Mechanical

Type	Operating force FA <sup>1</sup> Newtons (grams)	Operating life (operations)	Travel (total travel) mm(mm)
K5V4CL43G	4.0 (400)	25,000	1.2 (2.4)

<sup>1</sup> Tolerances of operating force FA is ± 25%.

## Packaging

330 pieces per reel  
Reel ø 360mm

## LED Characteristics

LED COLOR: White  
TEST CONDITIONS: 20 mA  
LUMINOUS INTENSITY I<sub>F</sub> = 20 mA

MIN. 110 mcd  
TYP. 220 mcd  
MAX. 320 mcd

MAX VOLTAGE: 4 V

## Electrical

POWER MIN/MAX: 0.02VA / 1.0VA  
VOLTAGE MIN/MAX: 20mVdc – 32 Vdc  
CURRENT MIN/MAX: 0.1mA – 100mA  
CONTACT RESISTANCE: <150m Ω  
INSULATION RESISTANCE: >1G Ω initial, >10M Ω after damp heat  
BOUNCE TIME: <5ms

## Environmental

OPERATING TEMPERATURE: -40°C to 85°C  
STORAGE TEMPERATURE: -50°C to 85°C  
RELATIVE HUMIDITY: 90 to 96% according to NF EN 60068-2-30  
PROTECTION: dust protection and flux tight  
OVERLOAD: 40N min

## Process

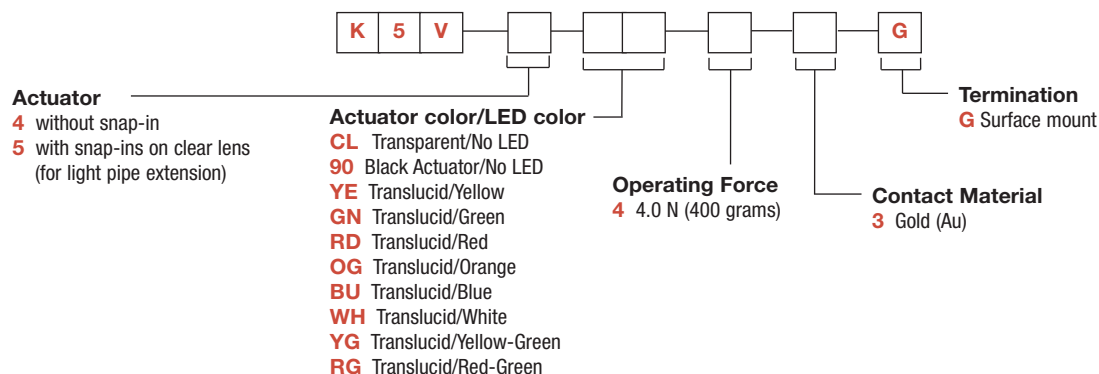
SOLDERING: Compatible with the lead free soldering profile.  
No washing

## Materials

LEAD FREE  
CONTACTS: Au over Ni  
SOLDERING: Au over Ni  
HOUSING: Thermoplastic UL94 HB

## How To Order

Our easy build-a-switch concept allows you to mix and match options to create the switch you need. To order, select desired option from each category and place it in the appropriate box.



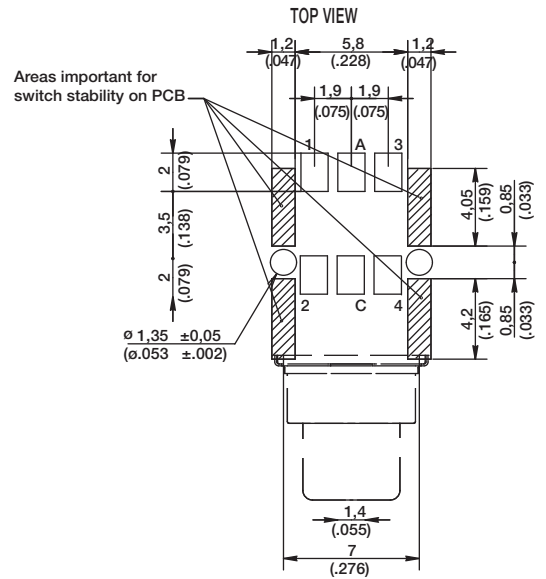
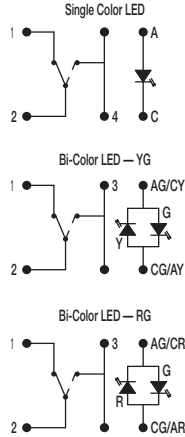
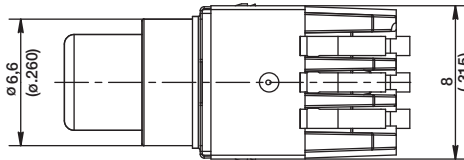
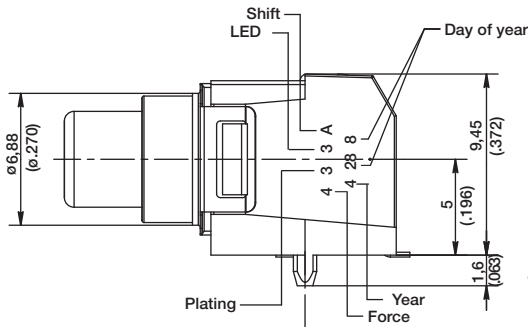
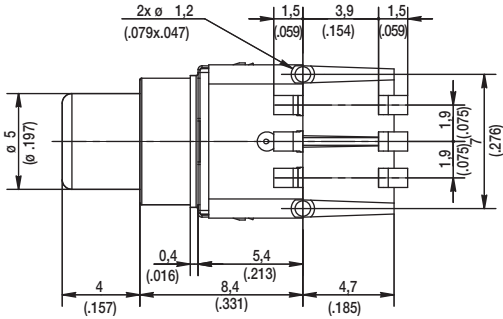
# K5V Right Angle Lighted SMT Tact Switch

## K5V SMT

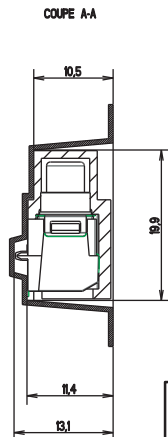
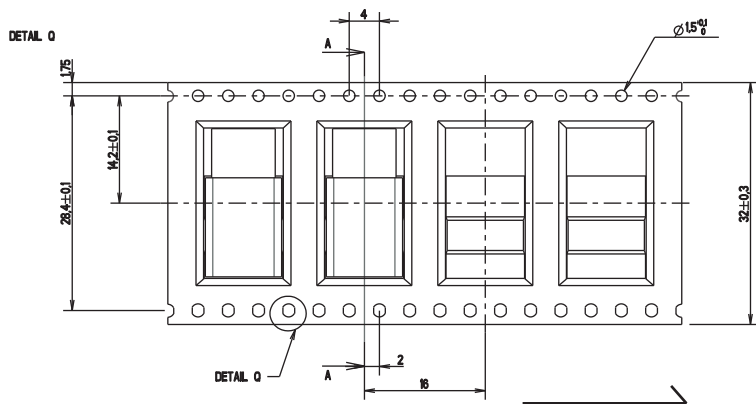
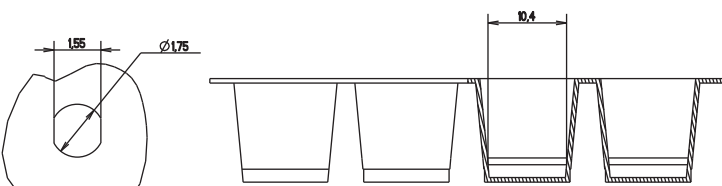
### ELECTRICAL DIAGRAM

### RECOMMENDED PCB LAYOUT ( WITH HOLES )

Tactile Switches



## TAPE & REEL



Dimensions are shown: mm (inches)  
Specifications and dimensions subject to change



# K5V Right Angle Lighted THT Tact Switch

## Features

- Gold plated dome contact SPST/SPDT
- Excellent ergonomics
- High bright LEDs
- Reduced space usage on board
- 40 N overload
- RoHS compliant and compatible

## Typical Applications

- When backlighting and switch are required to be a "2 in 1" component
- The dome contact secures a superior contact reliability in time
- The ergonomics of K5V provides a long travel, a sharp tactile feel and an audible click
- Server, storage, automotive, network infrastructure, medical



Tactile Switches

## Specification

FUNCTION: momentary action  
 CONTACT ARRANGEMENT: Normally Open + Normally Closed  
 TERMINALS: Through hole terminals with positioning pegs.  
 Terminals keying in option

## Mechanical

Type	Operating force FA <sup>1</sup> Newtons (grams)	Operating life (operations)	Travel (total travel) mm(mm)
K5V1CL43T	4.0 (400)	25,000	1.2 (2.4)

<sup>1</sup>Tolerances of operating force FA is ± 25%.

## Packaging

60 pieces per tray  
 300 pieces per box

## LED Characteristics

LED COLOR: White  
 TEST CONDITIONS: 20 mA  
 LUMINOUS INTENSITY I<sub>F</sub> = 20 mA  
 MIN. 110 mcd  
 TYP. 220 mcd  
 MAX. 320 mcd

MAX VOLTAGE: 4 V

## Electrical

POWER MIN/MAX: 0.02VA / 1.0VA  
 VOLTAGE MIN/MAX: 20mVdc – 32 Vdc  
 CURRENT MIN/MAX: 0.1mA – 100mA  
 CONTACT RESISTANCE: <150m Ω  
 INSULATION RESISTANCE: >1G Ω initial, >10M Ω after damp heat  
 BOUNCE TIME: <5ms

## Environmental

OPERATING TEMPERATURE: -40°C to 85°C  
 STORAGE TEMPERATURE: -50°C to 85°C  
 RELATIVE HUMIDITY: 90 to 96% according to NF EN 60068-2-30  
 PROTECTION: dust protection and flux tight  
 OVERLOAD: 40N min

## Process

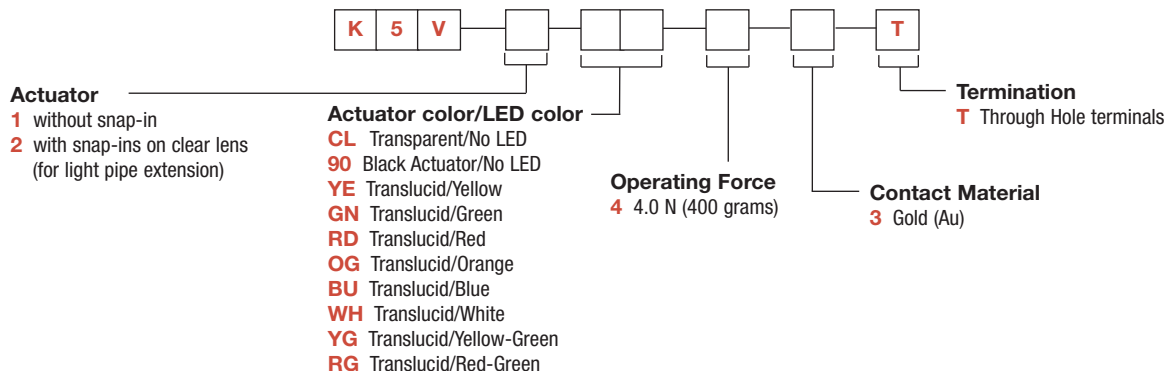
SOLDERING: Compatible with the lead free soldering profile.

## Materials

LEAD FREE  
 CONTACTS: Au over Ni  
 SOLDERING: Au over Ni  
 HOUSING: Thermoplastic UL94 HB

## How To Order

Our easy build-a-switch concept allows you to mix and match options to create the switch you need. To order, select desired option from each category and place it in the appropriate box.

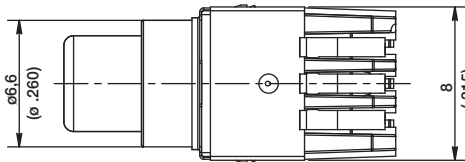
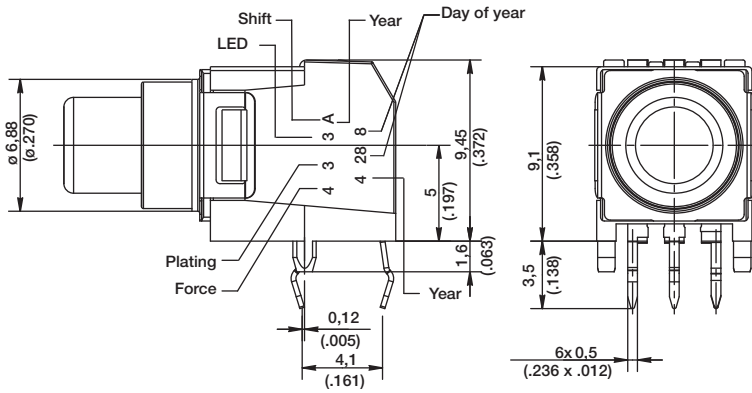
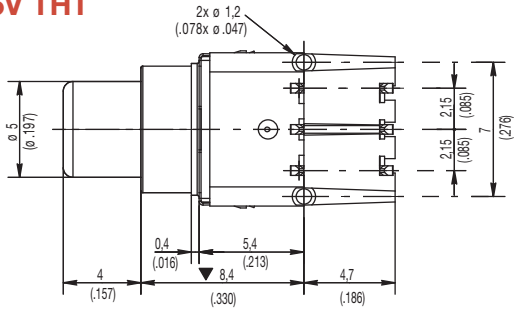


# K5V Right Angle Lighted THT Tact Switch

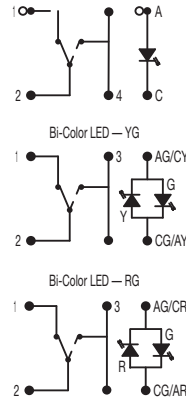
## K5V THT

B

Tactile Switches

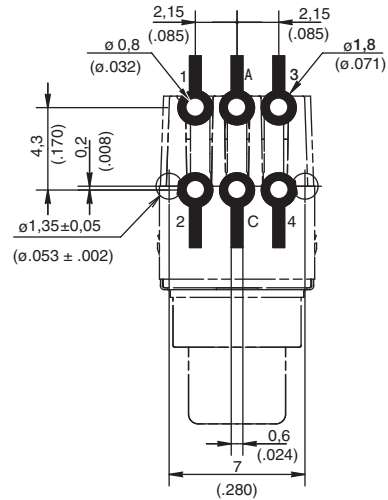


### ELECTRICAL DIAGRAM

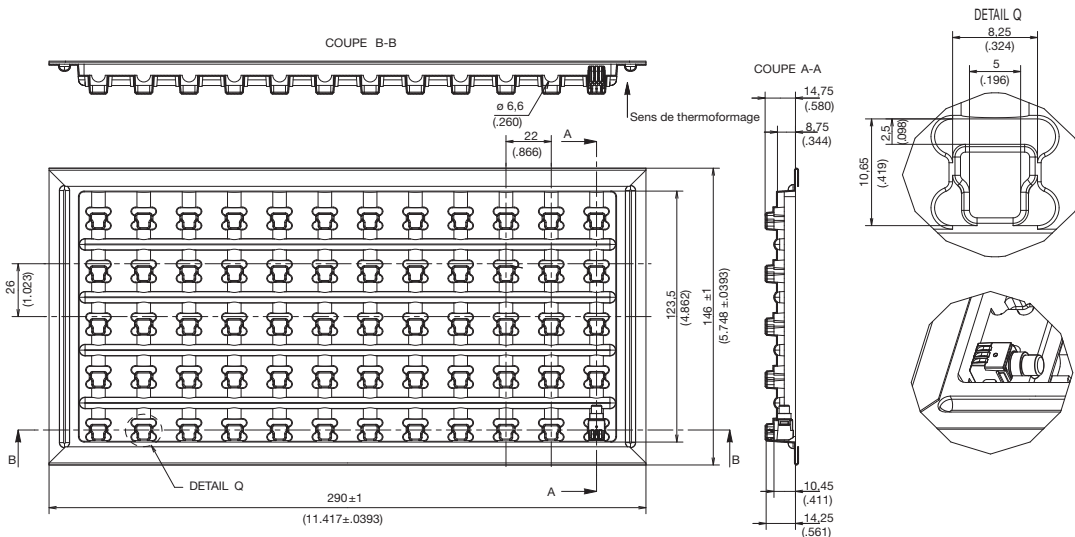


### RECOMMENDED PCB LAYOUT ( WITH HOLES )

#### TOP VIEW



## TRAY



Dimensions are shown: mm (inches)  
Specifications and dimensions subject to change

# K5V Panel Mount Lighted Tact Switch

## Features

- Gold plated dome contact SPST/SPDT
- Excellent ergonomics
- High bright leds
- Reduced space usage on panel
- 40 N overload
- RoHS compliant

## Typical Applications

- When backlighting and switch are required to be a "2 in 1" component
- The dome contact secures a superior contact reliability in time
- The ergonomics of K5V provides a long travel, a sharp tactile feel and an audible click
- Server, storage, automotive, network infrastructure, medical



B

Tactile Switches

## Specification

FUNCTION: momentary action  
 CONTACT ARRANGEMENT: Normally Open + Normally Closed  
 BACKLIGHTING: high bright LED, independent terminals  
 TERMINALS: Solder terminals with wire holes 1.3 x 0.6mm

## Mechanical

Type	Operating force FA <sup>1</sup> Newtons (grams)	Operating life (operations)	Travel (total travel) mm(mm)
K5V1CL43P	4.0 (400)	25,000	1.2 (2.4)

<sup>1</sup> Tolerances of operating force FA is ± 25%.

## Packaging

60 pieces per tray  
 300 pieces per box

## LED Characteristics

LED COLOR: White  
 TEST CONDITIONS: 20 mA  
 LUMINOUS INTENSITY I<sub>F</sub> = 20 mA

MIN. 110 mcd  
 TYP. 220 mcd  
 MAX. 320 mcd

MAX VOLTAGE: 4 V

## Electrical

POWER MIN/MAX: 0.02VA / 1.0VA  
 VOLTAGE MIN/MAX: 20mVdc – 32 Vdc  
 CURRENT MIN/MAX: 0.1mA – 100mA  
 CONTACT RESISTANCE: <150m Ω  
 INSULATION RESISTANCE: >1GΩ initial, >10M Ω after damp heat  
 BOUNCE TIME: <5ms

## Environmental

OPERATING TEMPERATURE: -40°C to 85°C  
 STORAGE TEMPERATURE: -50°C to 85°C  
 RELATIVE HUMIDITY: 90 to 96% according to NF EN 60068-2-30  
 PROTECTION: dust protection and flux tight  
 OVERLOAD: 40N min

## Process

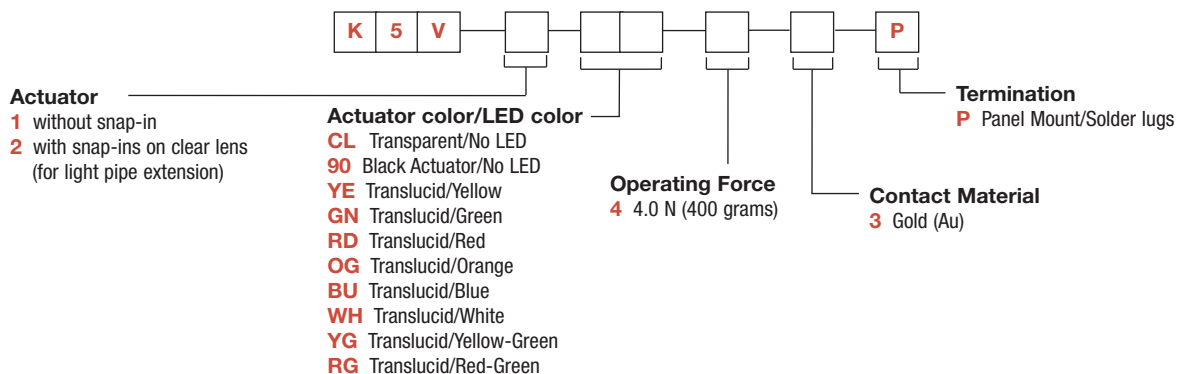
SOLDERING: Low wattage soldering iron (25-50 watts max.  
 Solder time 3 seconds max. No washing.

## Materials

LEAD FREE  
 CONTACTS: Au over Ni  
 SOLDERING: Au over Ni  
 HOUSING: Thermoplastic UL94 HB

## How To Order

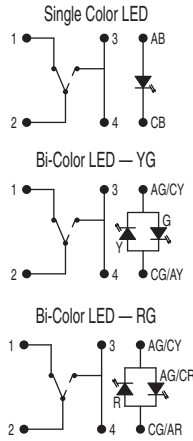
Our easy build-a-switch concept allows you to mix and match options to create the switch you need. To order, select desired option from each category and place it in the appropriate box.



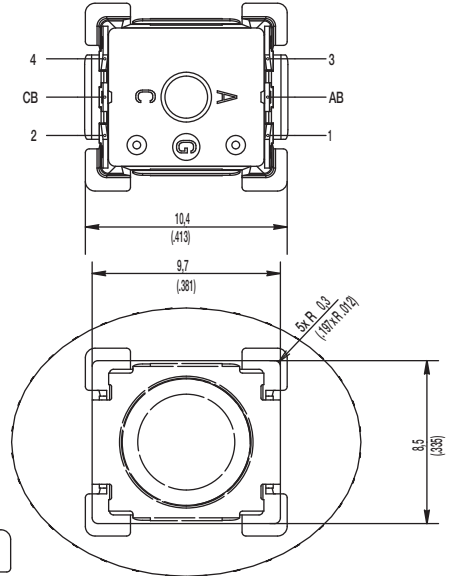
# K5V Panel Mount Lighted Tact Switch

K5V PM

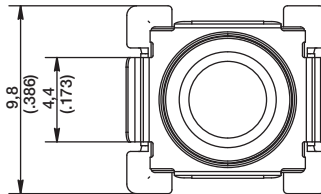
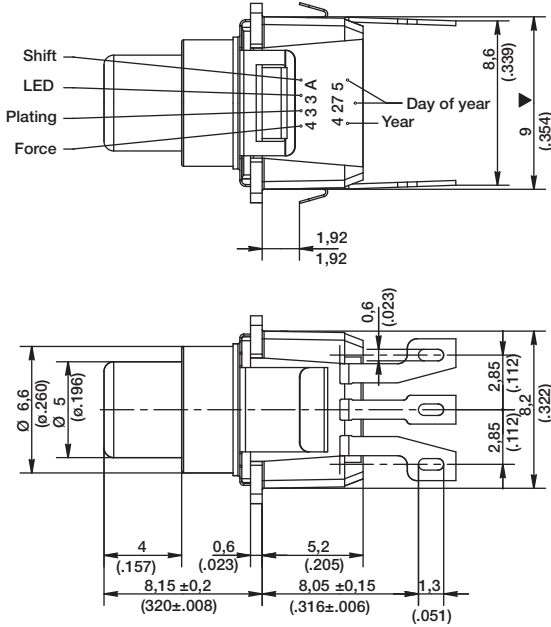
## ELECTRICAL DIAGRAM



## TERMINAL REFERENCES

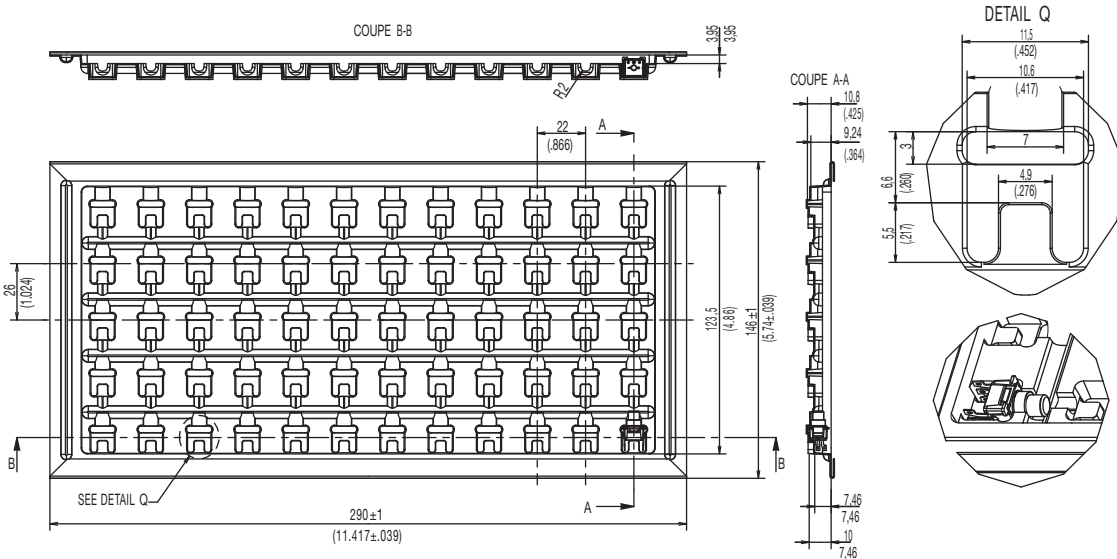


## PRODUCT IDENTIFICATION AND DATE CODES



## TRAY

SUITABLE FOR PANEL THICKNESS OF 1.8MM MAX



Dimensions are shown: mm (inches)  
Specifications and dimensions subject to change