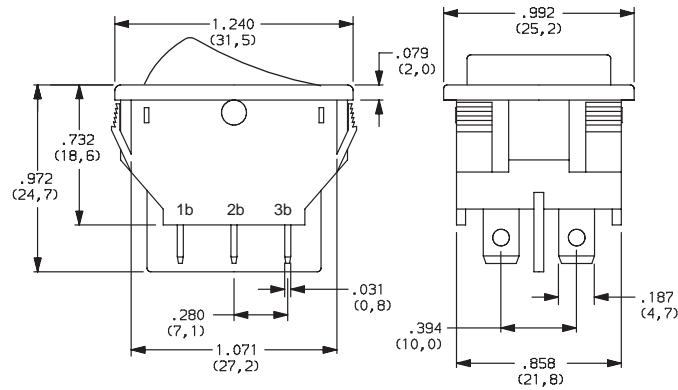


CN Series Double Pole Power Rocker Switches

SWITCH FUNCTION

| NO. POLES | MODEL NO. | SWITCH FUNCTION | | | CONNECTED TERMINALS | | | SCHEMATIC | |
|-----------|-----------|------------------------------|--------|--------|------------------------------|--------|------------|-----------|---------------------------------------|
| | | Pos. 1 | Pos. 2 | Pos. 3 | Pos. 1 | Pos. 2 | Pos. 3 | | |
| | | | | | | | | | |
| | | C&K marking on opposite side | | | C&K marking on opposite side | | | | |
| DP | CN201 | ON | NONE | ON | 2-1 4-5 | N/A | 2-3 6-5 | | |
| | CN202 | ON | NONE | OFF | | | | OPEN | |
| | CN22 * | ON | NONE | OFF | | | | | OR For Illuminated Version |

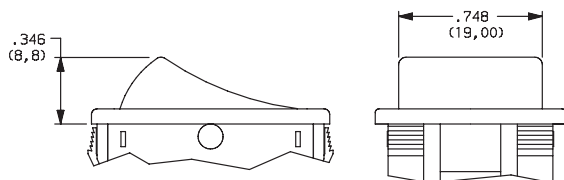
* CN22 - for switches with both marking and illumination



Shown in Pos. 1

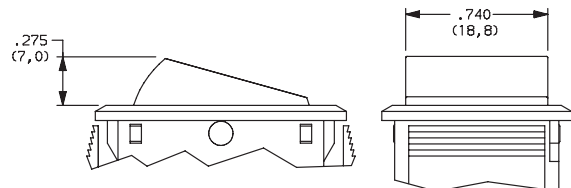
ACTUATOR

- J1** ROCKER
- J3** ILLUMINATED ROCKER

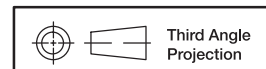


NOTE: J1 & J3 actuators available with Q contact rating only.
J3 actuator available with CN202 & CN22 switch function only.

- J6** ROCKER
- J8** ILLUMINATED ROCKER



NOTE: J6 & J8 actuators available with QA contact rating only.
J6 actuator available with CN201 & CN202 switch functions,
J8 actuator available with CN202 & CN22 switch function only.



Dimensions are shown: Inch (mm)
Specifications and dimensions subject to change



CN Series Double Pole Power Rocker Switches

ACTUATOR COLOR

| OPTION CODE | ACTUATOR COLOR |
|-------------|--------------------|
| 2 | BLACK |
| 1 | WHITE |
| 3 | RED |
| R | RED, ILLUMINATED |
| A | AMBER, ILLUMINATED |
| G | GREEN, ILLUMINATED |

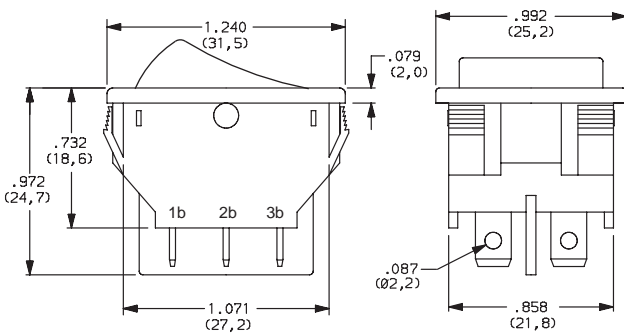
MOUNTING STYLE/COLOR

S2 SNAP-IN, BLACK

S1 SNAP-IN, WHITE

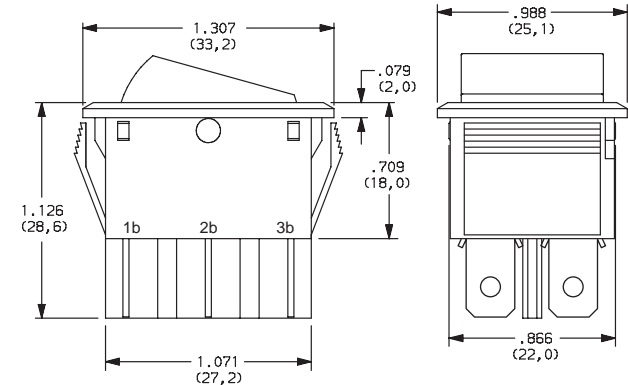
S4 SNAP-IN, BLACK

S3 SNAP-IN, WHITE



NOTE: Available with 15 termination and Q contact rating only.

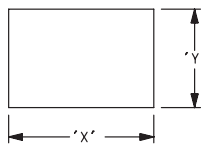
Shown in Pos. 1



NOTE: Available with 05 termination and QA contact rating only.

Shown in Pos. 1

PANEL MOUNTING

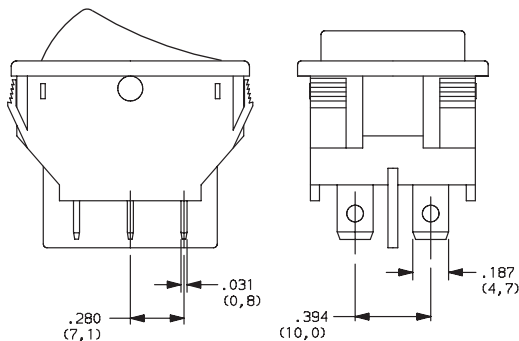


| PANEL THICKNESS | "X" | "Y" |
|-------------------------|-----------------------|-----------------------|
| 0.030-0.049 (0.75-1.25) | 1.190-.004 (30,2-0,1) | 0.874+.004 (22,2+0,1) |
| 0.049-0.079 (1.25-2,0) | 1.197-.004 (30,4-0,1) | 0.874+.004 (22,2+0,1) |
| 0.079-0.118 (2,0-3,0) | 1.213-.004 (30,8-0,1) | 0.874+.004 (22,2+0,1) |

TERMINATION

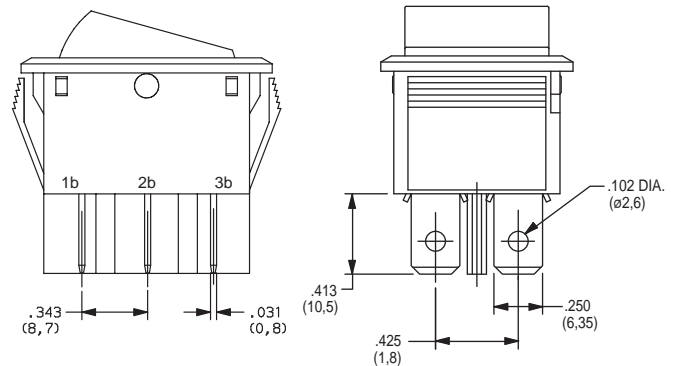
15 .187" QUICK CONNECT

05 .250" QUICK CONNECT



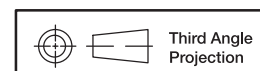
NOTE: Available with S1 & S2 mounting style and Q contact rating only.

Shown in Pos. 1



NOTE: Available with S3 & S4 mounting styles and QA contact rating, CN201 & CN202 switch functions only.

Shown in Pos. 1



Dimensions are shown: Inch (mm)
Specifications and dimensions subject to change

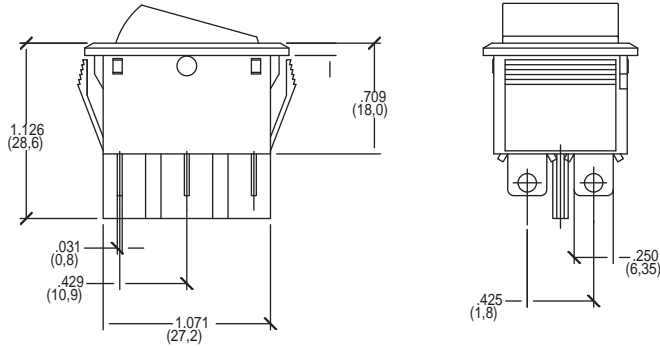
www.ck-components.com



CN Series Double Pole Power Rocker Switches

TERMINATION

07 SOLDER LUG



Shown in Pos. 1

ACTUATOR MARKING

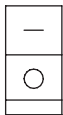
NONE NO MARKING



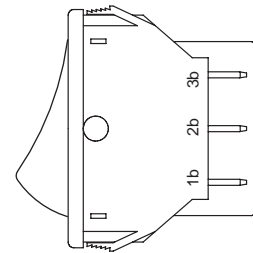
D ON-OFF



H O I



P O -



NOTE: Orientation of actuator marking and terminals.

Shown in Pos. 1

CONTACT MATERIAL

| OPTION CODE | CONTACT AND TERMINAL MATERIAL | RATINGS | |
|-------------|-------------------------------|---------|--|
| Q | SILVER | POWER | 16 AMPS @ 125 VAC; 10 AMPS @ 250 VAC (UL/CSA) |
| QA* | | | 16 AMPS @ 125 VAC, 1/8 HP @ 125 VAC; 10 AMPS @ 250 VAC, 1/3 HP @ 250 VAC (UL/CSA) |

* Not available with CN203, CN205 & CN207 switch functions.

* Note: See Technical Data section of this catalog for RoHS compliant and compatible definitions and specifications.

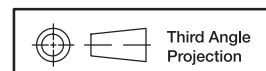
LAMP RATING

(NONE) NO LAMP

7 125 VAC 33kΩ NEON

8 250 VAC 150kΩ NEON

NOTE: Lamp rating for J3 & J8 actuator options.



Dimensions are shown: Inch (mm)
Specifications and dimensions subject to change