

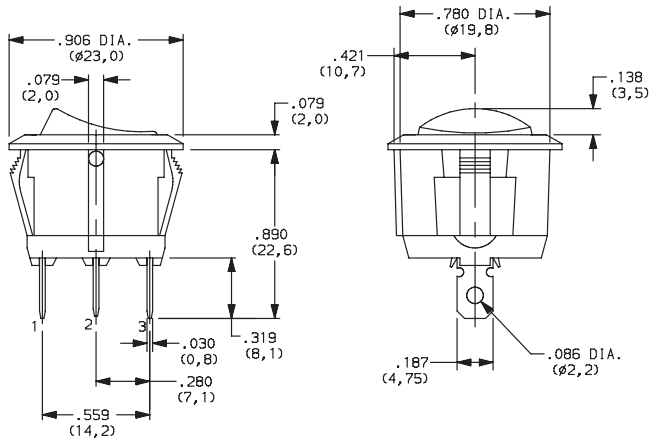


# CR Series Round Single Pole Specialty Rocker Switches

## SWITCH FUNCTION



NO. POLES	MODEL NO.	SWITCH FUNCTION			CONNECTED TERMINALS			SCHEMATIC
		Pos. 1	Pos. 2	Pos. 3	Pos. 1	Pos. 2	Pos. 3	
	<b>CR101</b>	ON	NONE	ON	2-3		2-1	
SP	<b>CR102</b>	ON	NONE	OFF		N/A		 For 7 & 8 Illuminated Versions

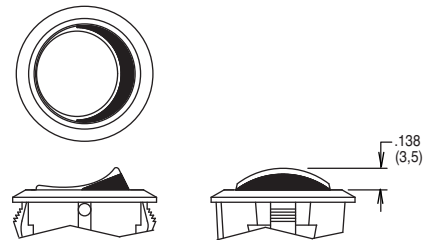
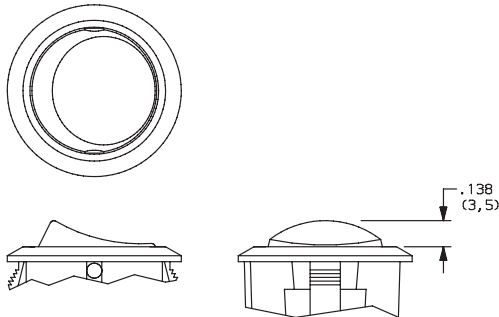


## ACTUATOR



- J1** ROCKER
- J3** ILLUMINATED ROCKER

- J2** TWO-TONE ROCKER



**NOTE:** J3 actuator available with the combination of 7 & 8 lamp ratings and CR102 switch function only.



Third Angle Projection

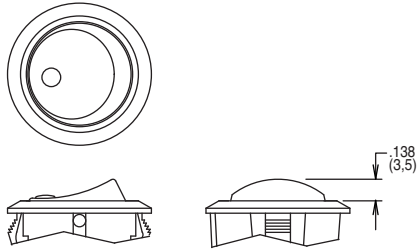
Dimensions are shown: Inches (mm)  
Specifications and dimensions subject to change



# CR Series Round Single Pole Specialty Rocker Switches

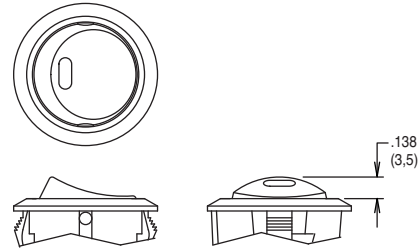
## ACTUATOR

**J4** CIRCLE, ILLUMINATED ROCKER



**NOTE:** Available with the combination of CR102 switch function and 7 & 8 lamp ratings only.

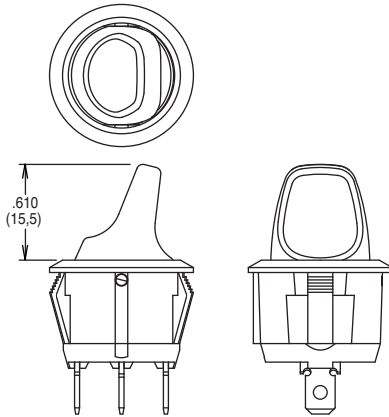
**J5** OVAL, ILLUMINATED ROCKER



**NOTE:** Available with the combination of CR102 switch function and 6 lamp rating only.

**JN** PADDLE, ROCKER

**JP** PADDLE, ILLUMINATED ROCKER



**NOTE:** JP actuator available with the combination of CR102 switch function and 7 & 8 lamp ratings only.

## ACTUATOR COLOR

ACTUATOR	OPTION CODE	ACTUATOR COLOR
<b>J1</b>	<b>2</b>	BLACK
	<b>1</b>	WHITE
	<b>3</b>	RED
<b>J3, J4</b> <b>J5, JP</b>	<b>R</b>	RED, ILLUMINATED
	<b>A</b>	AMBER, ILLUMINATED
	<b>G</b>	GREEN, ILLUMINATED

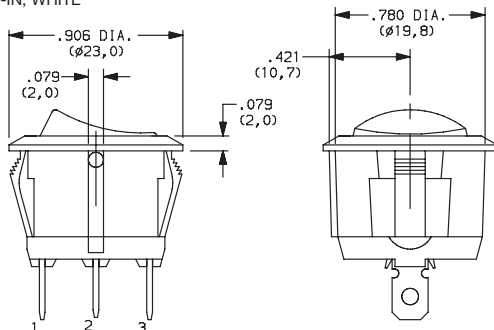
OPTION CODE	ACTUATOR COLOR	
	TOP	BOTTOM
<b>1</b>	WHITE	RED
<b>2</b>	WHITE	BLACK
<b>3</b>	RED	WHITE
<b>4</b>	BLACK	WHITE
<b>5</b>	BLACK	RED

J2 actuator only

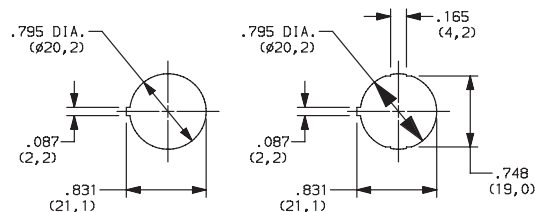
## MOUNTING STYLE/COLOR

**S2** SNAP-IN, BLACK

**S1** SNAP-IN, WHITE



### PANEL MOUNTING



Panel thickness:  
2.0 - 3.0 mm

Panel thickness:  
0.7 - 3.0 mm

Rocker



G

**C&K**



Third Angle Projection

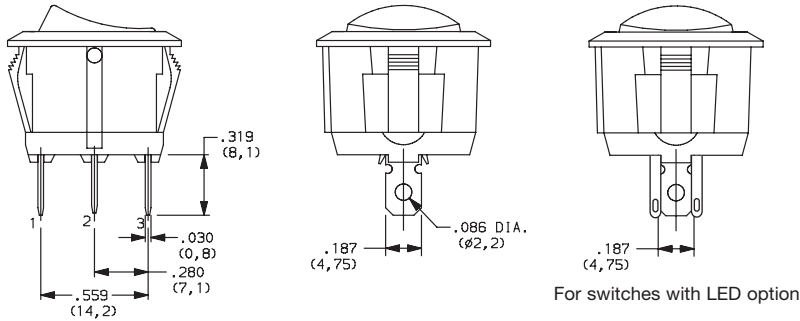
Dimensions are shown: Inches (mm)  
Specifications and dimensions subject to change

# CR Series Round Single Pole Specialty Rocker Switches

## TERMINATION



**15** .187" QUICK CONNECT



## CONTACT MATERIAL



OPTION CODE	CONTACT AND TERMINAL MATERIAL	RATINGS	
<b>QF</b>	SILVER	POWER	16 AMPS @ 125 VAC; 10 AMPS @ 250 VAC

\* Note: See Technical Data section of this catalog for RoHS compliant and compatible definitions and specifications.

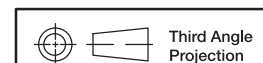
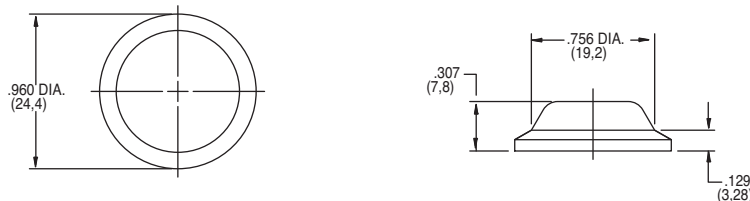
## LAMP RATING



- (NONE)** NO LAMP
- 6** LED RATING @ 10 mA  $V_f=1.85V$
- 7** 125 VAC 33kΩ NEON
- 8** 250 VAC 150kΩ NEON

## ACCESSORIES

**377C00000** IP65 SPLASH PROOF RUBBER BOOT



Third Angle  
Projection

Dimensions are shown: Inches (mm)  
Specifications and dimensions subject to change



# CG Series Single Pole Power Rocker Switches

## Features/Benefits

- Bevelled frame
- Illuminated versions available
- Easy panel mount installation

## Typical Applications

- Computers and peripherals
- Small appliances
- Instrument panels
- Industrial controls
- RoHS compliant



## Specifications

CONTACT RATING:  
 UL/CSA: 16 AMPS @ 125 VAC, 10 AMPS @ 250 VAC.  
 VDE  $\mu$  T85: 10 AMPS @ 250 VAC, 6 AMPS @ 250 VAC.  
 ELECTRICAL LIFE: 10,000 make and break cycles at full load.  
 INSULATION RESISTANCE:  $10^8 \Omega$  min.  
 DIELECTRIC STRENGTH: 1,500 VRMS @ sea level.  
 OPERATING TEMPERATURE: -20°C to +85°C

## Materials

HOUSING AND ACTUATOR: 6/6 nylon (UL94V-2), black, matte finish.  
 ILLUMINATED ACTUATOR: Polycarbonate, matte finish.  
 CENTER CONTACTS: Silver plated, copper alloy.  
 END CONTACTS: Silver plated.  
 ALL TERMINALS: Silver plated, copper alloy.

**NOTE:** Specifications and materials listed above are for switches with standard options. For information on specific and custom switches, consult Customer Service Center.

## Build-A-Switch

To order, simply select desired option from each category and place in the appropriate box. Available options are shown and described on pages G-87 through G-89. For additional options not shown in catalog, consult Customer Service Center.

<p><b>Switch Function</b> _____</p> <p><b>CG101</b> SPDT On-None-On  <b>CG102</b> SPST On-None-Off  <b>CG103</b> SPDT On-Off-On  <b>CG105</b> SPDT Mom-Off-Mom  <b>CG12</b> * SPST On-None-Off</p> <p><b>Actuator</b> _____</p> <p><b>J1</b> Rocker  <b>J2</b> **Two-tone rocker  <b>J3</b> Illuminated rocker</p> <p><b>Actuator Color</b> _____</p> <p><b>2</b> Black  <b>1</b> White  <b>3</b> Red  <b>R</b> Red, illuminated  <b>A</b> Amber, illuminated  <b>G</b> Green, illuminated</p> <p><b>Mounting Style/Color</b> _____</p> <p><b>S2</b> Snap-in, black  <b>S1</b> Snap-in, white</p> <p><b>Termination</b> _____</p> <p><b>05</b> .250" quick connect  <b>07</b> Solder lug</p> <p><b>Actuator Marking</b> _____</p> <p><b>(NONE)</b> No marking  <b>D</b> ON-OFF  <b>H</b> "O I" - international ON-OFF  <b>P</b> "O -" international ON-OFF</p> <p><b>Contact Rating</b> _____</p> <p><b>QF</b> Silver</p> <p><b>Lamp Rating</b> _____</p> <p><b>(NONE)</b> No lamp  <b>7</b> 125 VAC neon  <b>8</b> 250 VAC neon</p>	
--	--

\* CG12 — for switches with both marking and illumination

\*\* J2 — refer to table on page G-88 for actuator options

Rocker



G

**C&K**



Dimensions are shown: Inches (mm)

Specifications and dimensions subject to change

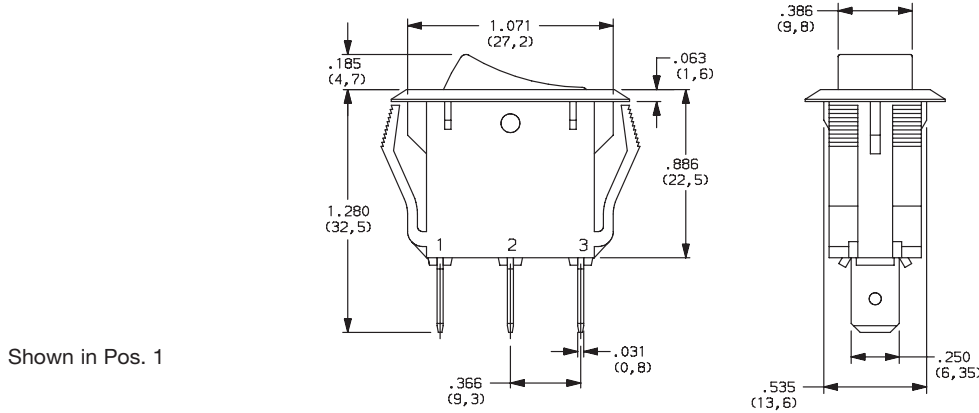
# CG Series Single Pole Power Rocker Switches

## SWITCH FUNCTION



NO. POLES	MODEL NO.	SWITCH FUNCTION			CONNECTED TERMINALS			SCHEMATIC
		Pos. 1	Pos. 2	Pos. 3	Pos. 1	Pos. 2	Pos. 3	
		C&K marking on opposite side			C&K marking on opposite side			
SP	<b>CG101</b>	ON	NONE	ON	1-2		2-3	
	<b>CG102</b>	ON	NONE	OFF	1-2	N/A	OPEN	
	<b>CG103</b>	ON	OFF	ON	1-2	OPEN	2-3	
	<b>CG105</b>	MOM	OFF	MOM	1-2	OPEN	2-3	
	<b>CG12 *</b>	ON	NONE	OFF	1-2	N/A	OPEN	

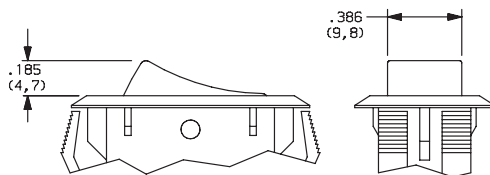
\* CG12 - for switches with both marking and illumination



## ACTUATOR

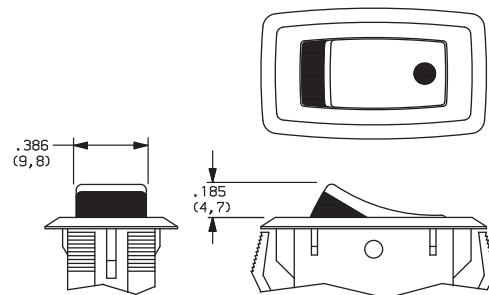


- J1** ROCKER
- J3** ILLUMINATED ROCKER



NOTE: J3 actuator available with CG102 switch function only.

- J2** TWO-TONE ROCKER



NOTE: Available with CG102 switch function only.



Dimensions are shown: Inches (mm)  
Specifications and dimensions subject to change



# CG Series Single Pole Power Rocker Switches

## ACTUATOR COLOR



ACTUATOR	OPTION CODE	ACTUATOR COLOR
<b>J1</b>	<b>2</b>	BLACK
	<b>1</b>	WHITE
	<b>3</b>	RED
<b>J3</b>	<b>R</b>	RED, ILLUMINATED
	<b>A</b>	AMBER, ILLUMINATED
	<b>G</b>	GREEN, ILLUMINATED

OPTION CODE	ACTUATOR COLOR	
	TOP	BOTTOM
<b>1</b>	WHITE	RED
<b>2</b>	WHITE	BLACK
<b>3</b>	RED	WHITE
<b>4</b>	BLACK	WHITE
<b>5</b>	BLACK	RED

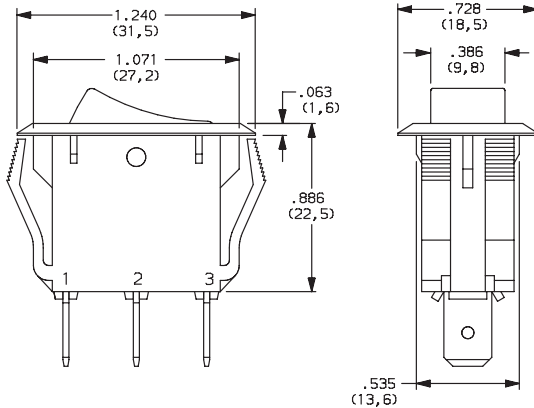
J2 actuator only

## MOUNTING STYLE/COLOR



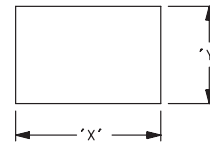
**S2** SNAP-IN, BLACK

**S1** SNAP-IN, WHITE



Shown in Pos. 1

### PANEL MOUNTING



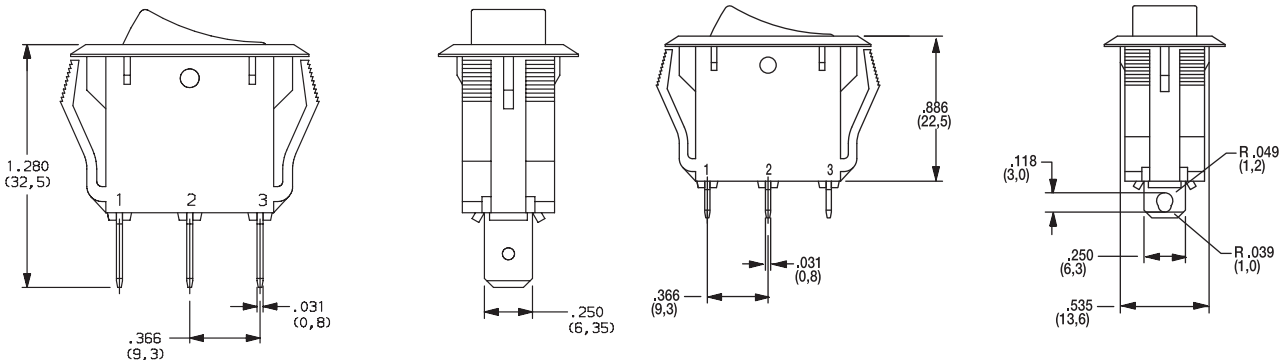
PANEL THICKNESS	"X"	"Y"
0.030-0.049 (0,75-1,25)	1.087-.004 (27,6-0,1)	0.543+.004 (13,8+0,1)
0.049-0.079 (1,25-2,0)	1.094-.004 (27,8-0,1)	0.543+.004 (13,8+0,1)
0.079-0.118 (2,0-3,0)	1.102-.004 (28,0-0,1)	0.543+.004 (13,8+0,1)

## TERMINATION



**05** .250" QUICK CONNECT

**07** SOLDER LUG



Shown in Pos. 1

Rocker



Third Angle Projection

Dimensions are shown: Inches (mm)  
Specifications and dimensions subject to change



# CG Series Single Pole Power Rocker Switches

## ACTUATOR MARKING



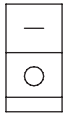
**NONE** NO MARKING



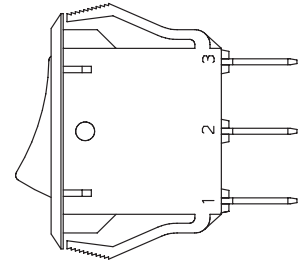
**D** ON-OFF



**H** 0 1



**P** 0 -



**NOTE:** Orientation of actuator marking and terminals.

Shown in Pos. 1

## CONTACT MATERIAL



OPTION CODE	CONTACT AND TERMINAL MATERIAL	RATINGS	
<b>QF</b>	SILVER	POWER	16 AMPS @ 125 VAC; 10 AMPS @ 250 VAC (UL/CSA) 10 AMPS @ 250 VAC (VDE) $\mu$ T85.

\* Note: See Technical Data section of this catalog for RoHS compliant and compatible definitions and specifications.

## LAMP RATING



**(NONE)** NO LAMP

**7** 125 VAC 33k $\Omega$  NEON

**8** 250 VAC 150k $\Omega$  NEON

**NOTE:** Lamp rating for J3 actuator option.