

KSU Series

Micro Mini Surface Mount Detect Switches



Features/Benefits

- New multi contact construction
- Metal actuator
- Low actuating force
- Gold contacts
- Compatible with pick and place machines
- RoHS compliant and compatible

Typical Applications

- Mobile phones and other handheld devices
- Portable medical devices
- Audio devices
- Automotive
- Alarm devices
- Payment terminals

Specifications

FUNCTION: Momentary action.

CONTACT TYPE: SPST Normally open.

TERMINALS: Gullwing type for SMT.

Mechanical

ACTUATING FORCE:

W version: 1,1 N ±0,8 N

ST version: 0,7 N ±0,5 N

TRAVEL TO MAKE:

W version: 0,65 mm - 0,45/+0,25 mm

ST version: 0,45 mm - 0,25/+0,1 mm

MAXIMUM FORCE AT MAXIMUM TRAVEL: 1,8 N

OPERATING LIFE: 100,000 cycles

Packaging

Switches are delivered on continuous tape, in reels of 1,000 pieces

Electrical

MAXIMUM POWER: 0.2 VA

MAXIMUM VOLTAGE: 32 VDC.

MINIMUM VOLTAGE: 20 mV.

MAXIMUM CURRENT: 0.01 A

MINIMUM CURRENT: 0.01 mA

CONTACT RESISTANCE: ≤ 100 mΩ.

INSULATION RESISTANCE: (100 VDC) 10⁹ Ω.

DIELECTRIC STRENGTH: ≥ 250 Vrms.

BOUNCE TIME: ≤ 3 ms.

Environmental

OPERATING TEMPERATURE: -40°C to +125°C.

STORAGE TEMPERATURE: -55°C to + 125°C.

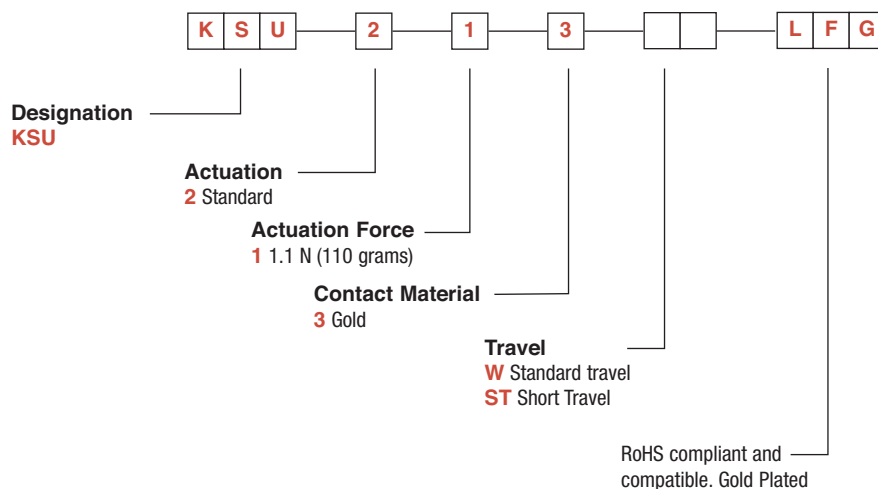
Process

SOLDERING: Compatible with lead free reflow process

NOTE: Specifications listed above are for switches with standard options.
For information on specific and custom switches, consult Customer Service Center.

Build-A-Switch

To order, simply select desired option from each category and place in the appropriate box. Available options are shown and described on page F-16. For additional options not shown in catalog, consult our Customer Service Center.



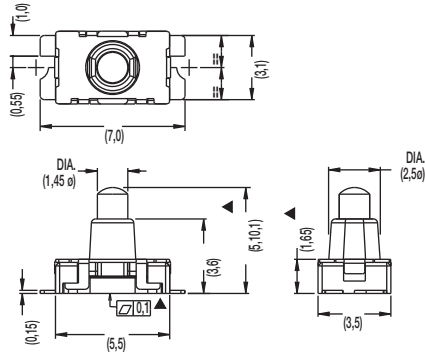
Detect



Dimensions are shown: mm
Specifications and dimensions subject to change

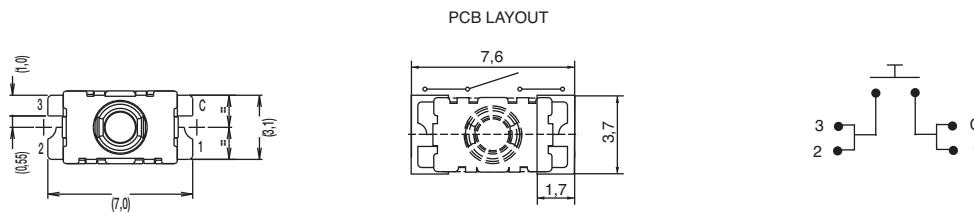
KSU Series Micro Mini Surface Mount Detect Switches

KSU

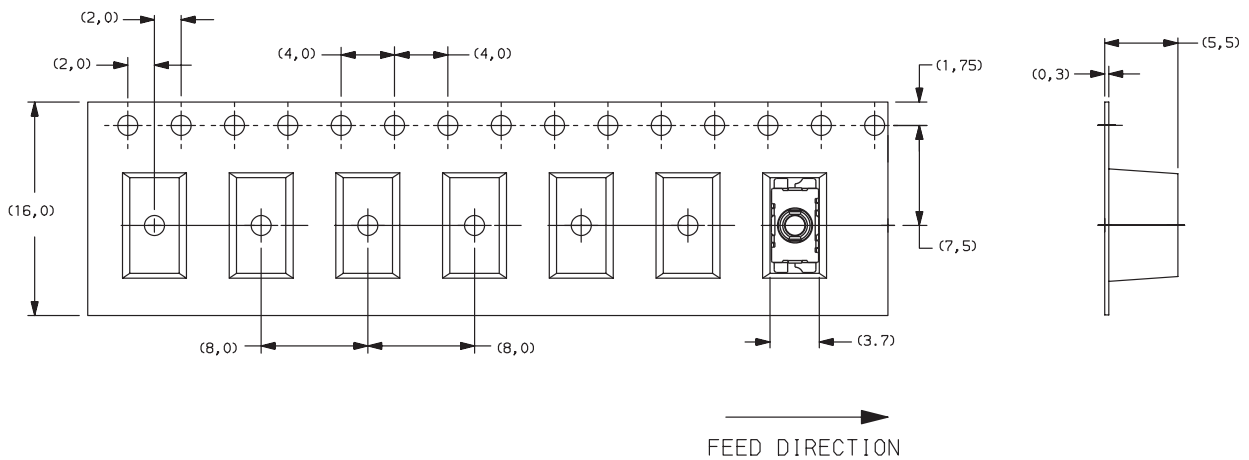


**KSU213W
SPST**

W GULLWING



TAPE & REEL



F

Detect



Dimensions are shown: mm
Specifications and dimensions subject to change