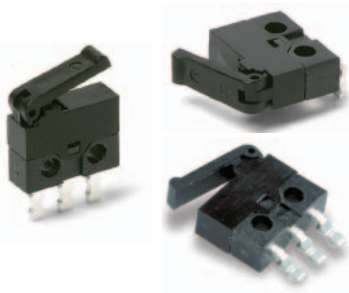


# MDS Series Micro Snap-acting Detect Switches



## Features/Benefits

- Snap-acting tactile feel
- Small package size
- Available in vertical or right angle PCB mount
- Long total travel of 2,9 mm
- RoHS compliant and compatible

## Typical Applications

- Detect the presence of a mechanical device
- Medical devices
- Consumer electronic devices
- ATCA applications

## Specifications

CONTACT RATING: 0.3A @ 6 VDC.  
 MECHANICAL & ELECTRICAL LIFE: 10,000 operations.  
 CONTACT RESISTANCE: 200 m Ω max.  
 OPERATING TEMPERATURE: -25°C to +70°C.  
 SOLDERABILITY: According to lead free solder profiles.  
 PACKAGING: Available in bulk or tape and reel.  
 OPERATING FORCE: 65g Max.  
 RELEASE FORCE: 3g Min.

## Materials

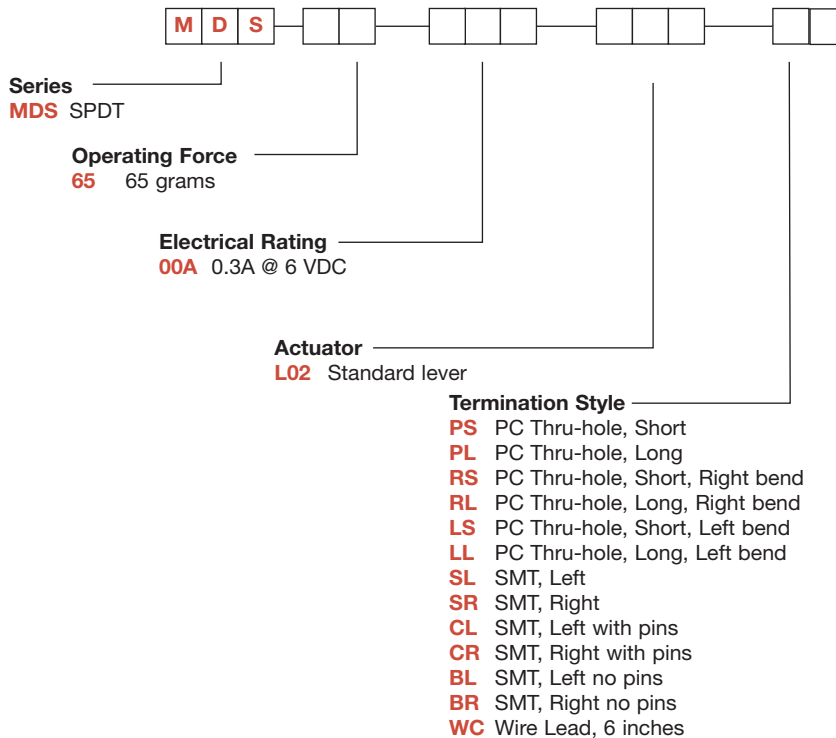
BASE: PA6T UL94HB  
 COVER & ACTUATOR: PA46 UL94HB  
 MOVABLE CONTACT: Copper alloy, silver plated.  
 STATIONARY CONTACTS: Copper alloy, silver plated.  
 TERMINALS: Copper alloy, tin plated.

**NOTE:** MDS series is RoHS compliant, and compatible. See technical data section of this catalog for RoHS compliant and compatible definitions and specifications.

**NOTE:** Specifications and materials listed above are for switches with standard options. For information on specific and custom switches, consult Customer Service Center.

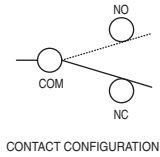
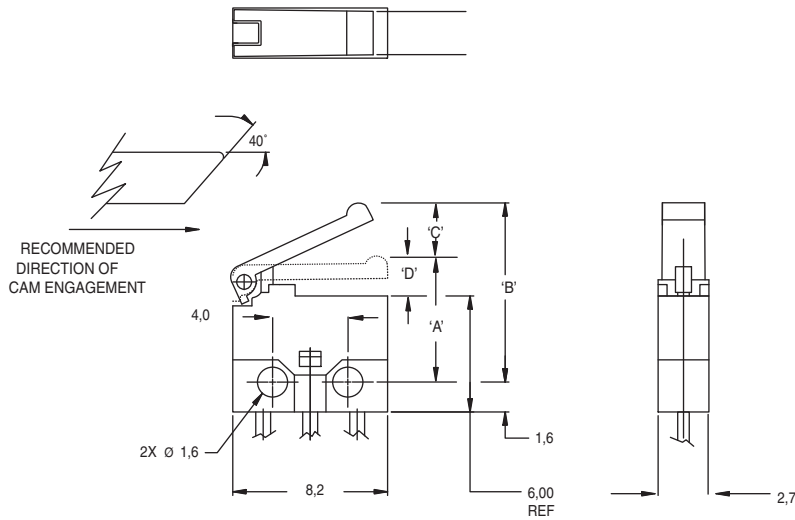
## Build-A-Switch

To order, simply select desired option from each category and place in the appropriate box. Available options are shown and described on pages J-44 and J-48. For additional options not shown in catalog, consult Customer Service Center.



# MDS Series Micro Snap-acting Detect Switches

SERIES **MDS** ■■■■■■■■



OPERATING CHARACTERISTICS		
OPERATING POSITION	DIM 'A'	7,0±0,4/-0,5
FREE POSITION	DIM 'B'	9,6 MAX
PRETRAVEL	DIM 'C'	2,5 MAX
OVER TRAVEL	DIM 'D'	0,15 MIN
CONTACT RATING		0.3A 6V DC
OPERATING FORCE		65 gf MAX.

## OPERATING FORCE ■■■■■■■■

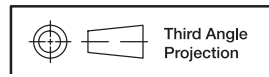
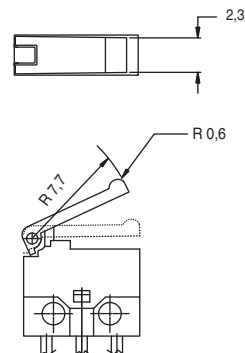
OPTION CODE	OPERATING FORCE
<b>65</b>	65 grams max.

## ELECTRICAL RATING ■■■■■■■■

OPTION CODE	ELECTRICAL RATING
<b>00A</b>	0.3A @ 6 V DC

## ACTUATOR ■■■■■■■■

**L02** STANDARD LEVER



Dimensions are shown: mm  
Specifications and dimensions subject to change

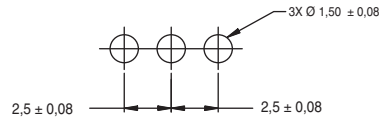


Snap-acting

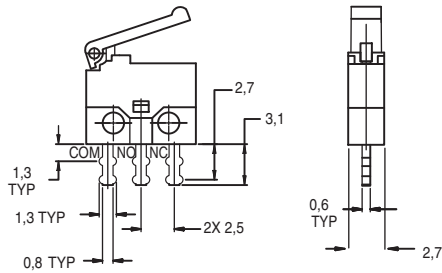
# MDS Series Micro Snap-acting Detect Switches

## TERMINATIONS

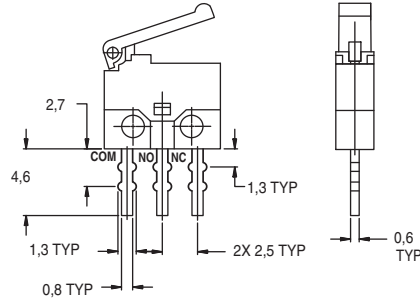
### PCB Mounting Pattern



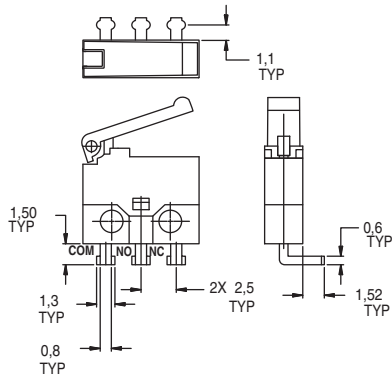
**PS** PC THRU-HOLE, SHORT STRAIGHT



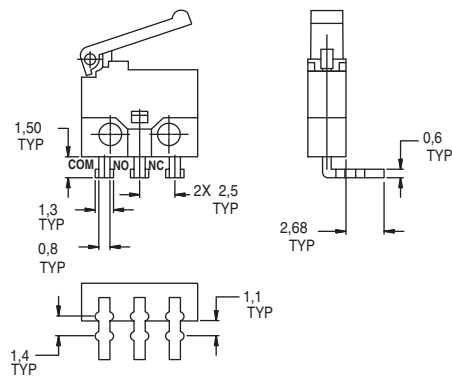
**PL** PC THRU-HOLE, LONG STRAIGHT



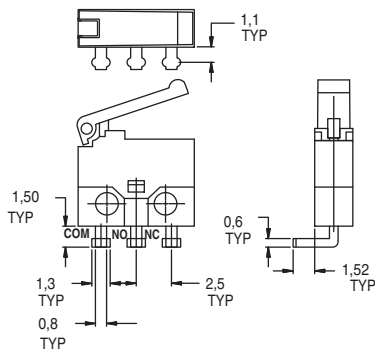
**RS** PC THRU-HOLE, SHORT RIGHT BEND



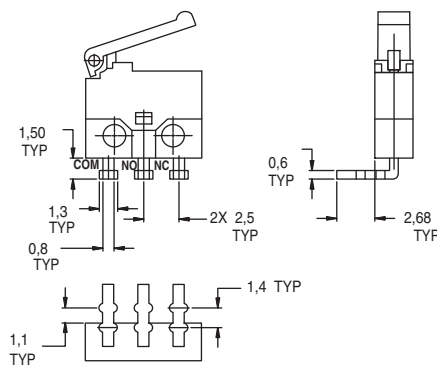
**RL** PC THRU-HOLE, LONG SHORT BEND



**LS** PC THRU-HOLE, SHORT LEFT BEND



**LL** PC THRU-HOLE, LONG LEFT BEND



Snap-acting

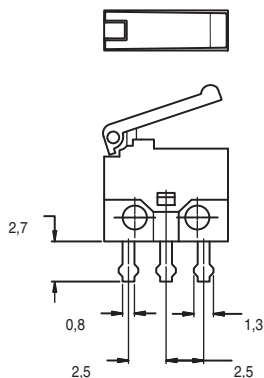


Dimensions are shown: mm  
Specifications and dimensions subject to change

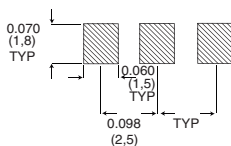
# MDS Series Micro Snap-acting Detect Switches

## TERMINATIONS

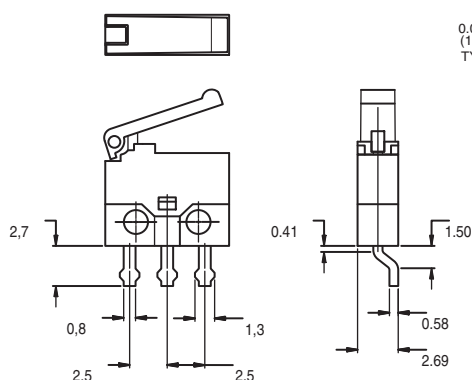
**SL** SMT, LEFT MOUNT



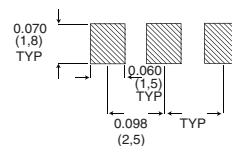
**SMT Mounting Pattern**



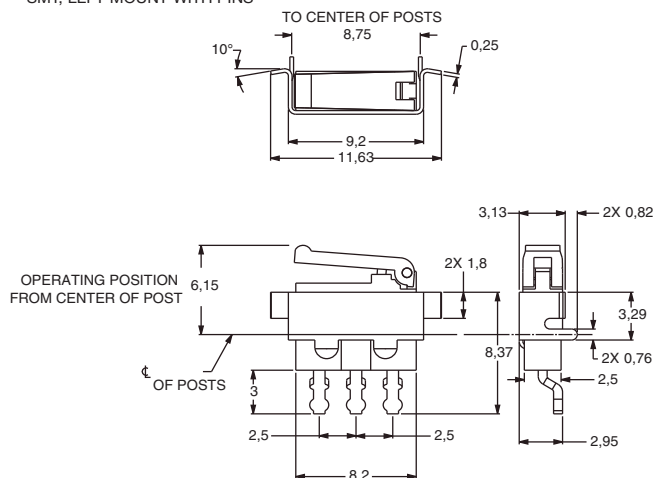
**SR** SMT, RIGHT MOUNT



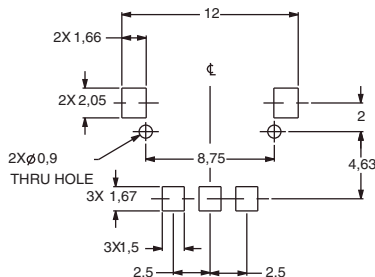
**SMT Mounting Pattern**



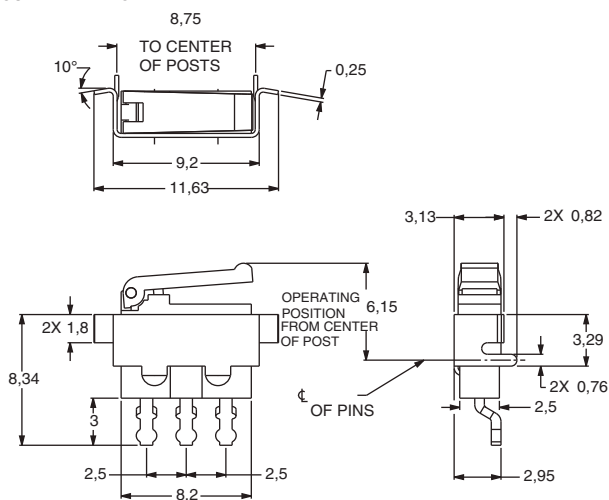
**CL** SMT, LEFT MOUNT WITH PINS



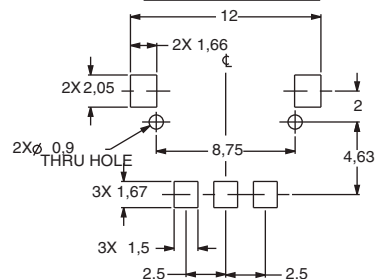
**RECOMMENDED SMT MOUNTING**



**CR** SMT, RIGHT MOUNT WITH PINS



**RECOMMENDED SMT MOUNTING**



Third Angle  
Projection

Dimensions are shown: mm  
Specifications and dimensions subject to change

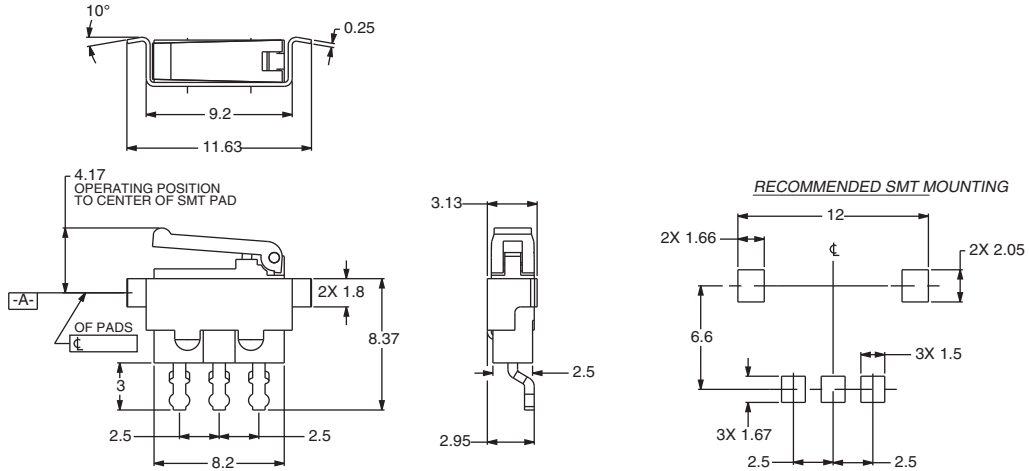


Snap-acting

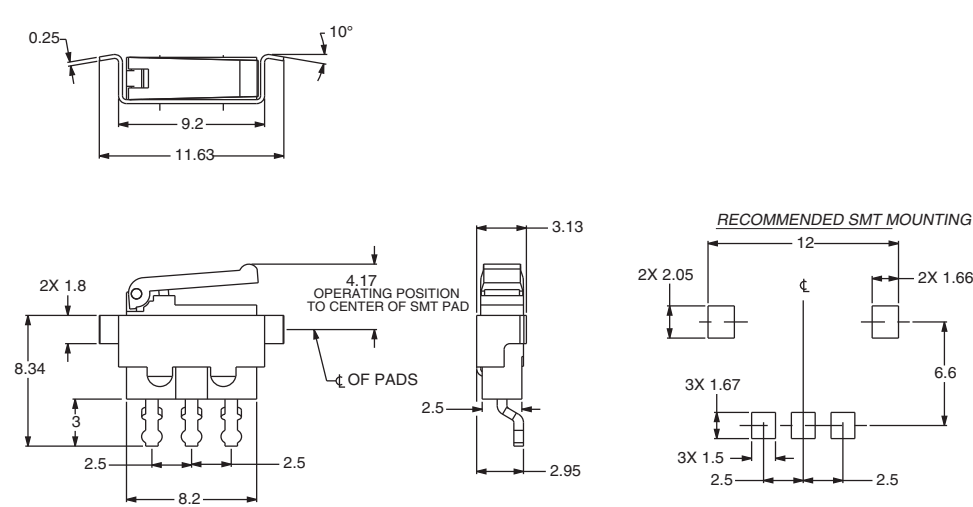
# MDS Series Micro Snap-acting Detect Switches

## TERMINATIONS

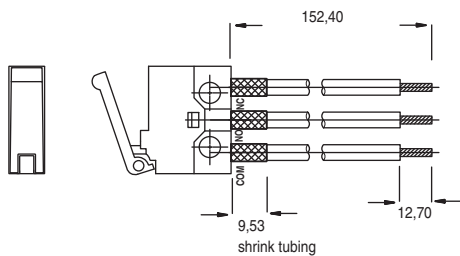
### BL SMT, LEFT NO PINS



### BR SMT, RIGHT NO PINS



### WC WIRE LEADS, 6 INCHES



Snap-acting



Third Angle Projection

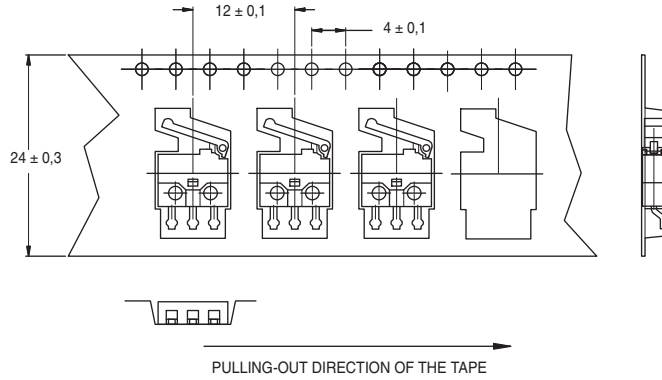
Dimensions are shown: mm  
Specifications and dimensions subject to change



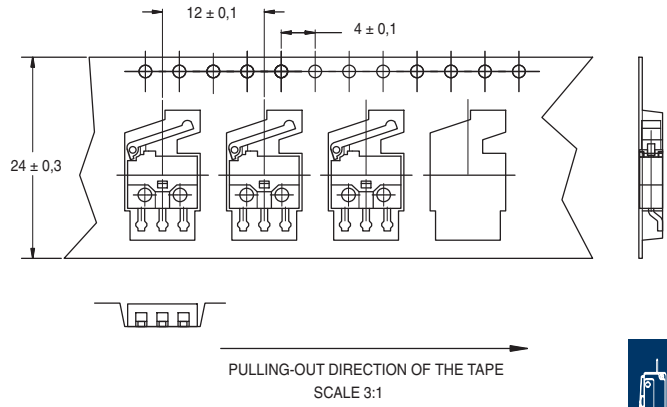
# MDS Series Micro Snap-acting Detect Switches

## PACKAGING

**SL** SMT, LEFT MOUNT



**SR** SMT, RIGHT MOUNT

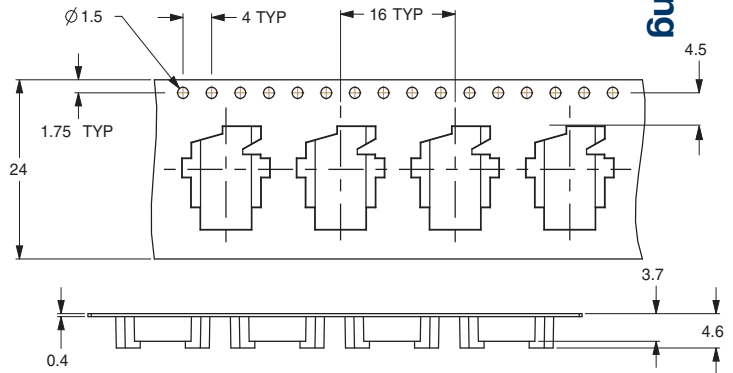
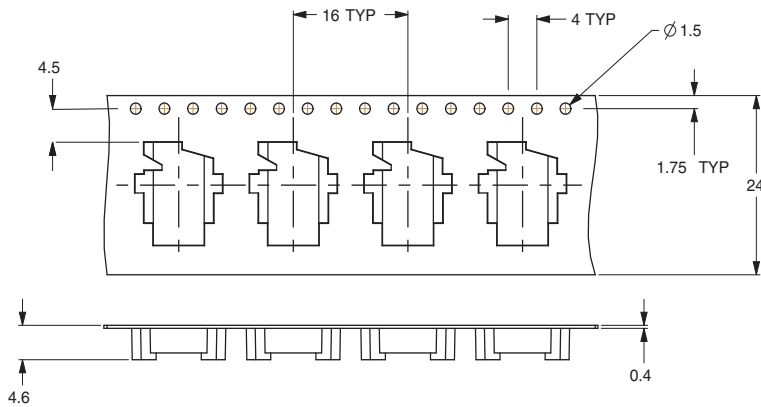


**CL** SMT, LEFT MOUNT

**BL** SMT, LEFT MOUNT

**CR** SMT, RIGHT MOUNT

**BR** SMT, RIGHT MOUNT

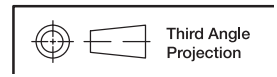


Supplied in carrier tape meeting the EIA-481-2 standard for 24mm tape.

Packaging quantity: SL and SR; 1,600 pieces per reel  
CL, CR, BL and BR; 1,000 pieces per reel



**Snap-acting**



Dimensions are shown: mm  
Specifications and dimensions subject to change

[www.ck-components.com](http://www.ck-components.com)