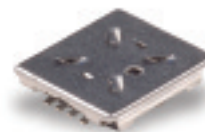


Features/Benefits

- Ultra slim component
- Up to 14 different functions
- Sensitive and tactile navigation
- No driver required

Typical Applications

- Mobile phones
- MP3 players
- Universal remote controls
- Digital cameras
- Medical equipment



Construction

FUNCTION:

Multifunction tact switch:

4 scan functions: SPST

1 select function: SPST

8 sensitive navigation functions

CONTACT ARRANGEMENT: Normally open momentary contacts

TERMINALS: Gullwing type for SMT

Mechanical

OVERLOAD: 50N

TACTILE FEELING:

Sensitive navigation functions:

Switching force at Te (Fa) • Scan: 1.5N ± 1

Electrical travel (Te) • Scan: 0.35mm ± 0.20

Tactile functions and select functions:

Switching Force (Fa)

- Centre: 4.5N ± 1.2

- Scan: 4N ± 1.2

Tactile Feeling (Δ%)

- Centre: Δ ≥ 15%

- Scan: Δ ≥ 10%

Electrical Travel (Te)

- Centre: 0.35mm ± 0.25

- Scan: 0.45mm ± 0.25

Mechanical Travel (Tm)

- Centre: 0.35mm ± 0.25

- Scan: 0.45mm ± 0.25

Simultaneity (Tm - Te)

- Centre: ≤ 0.1mm

- Scan: ≤ 0.1mm

OPERATING LIFE: 1,000,000 cycles per direction (5 directions)

Electrical

MAXIMUM POWER: 1.0 VA

MINIMUM VOLTAGE: 20 m VDC

MAXIMUM VOLTAGE: 32 VDC

MINIMUM CURRENT DC: 1 mA

MAXIMUM CURRENT DC: 100 mA

CONTACT RESISTANCE: ≤ 500 mΩ

INSULATION RESISTANCE: (at 100 Vdc)

Initial Measurement: ≥ 100MΩ

After damp heat: ≥ 10MΩ

BOUNCE TIME: ≤ 10 ms

Environmental

OPERATING TEMPERATURE: -30°C to 70°C

STORAGE TEMPERATURE: -40°C to 85°C

IP52

Process

Infrared reflow soldering in accordance with IEC 61760-1

Packaging

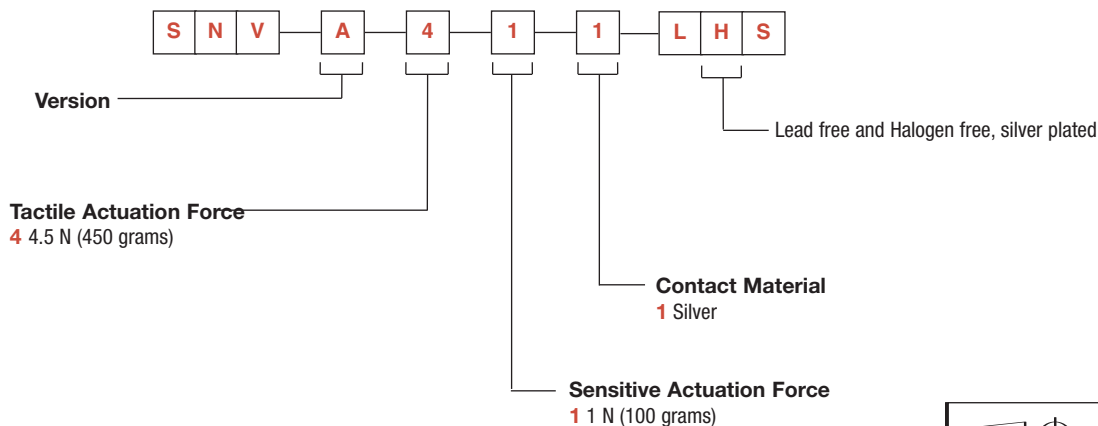
Tape and reel (2,000 pieces)

External diameter 380mm ± 2mm

Note: Specifications listed above are for switches with standard options.

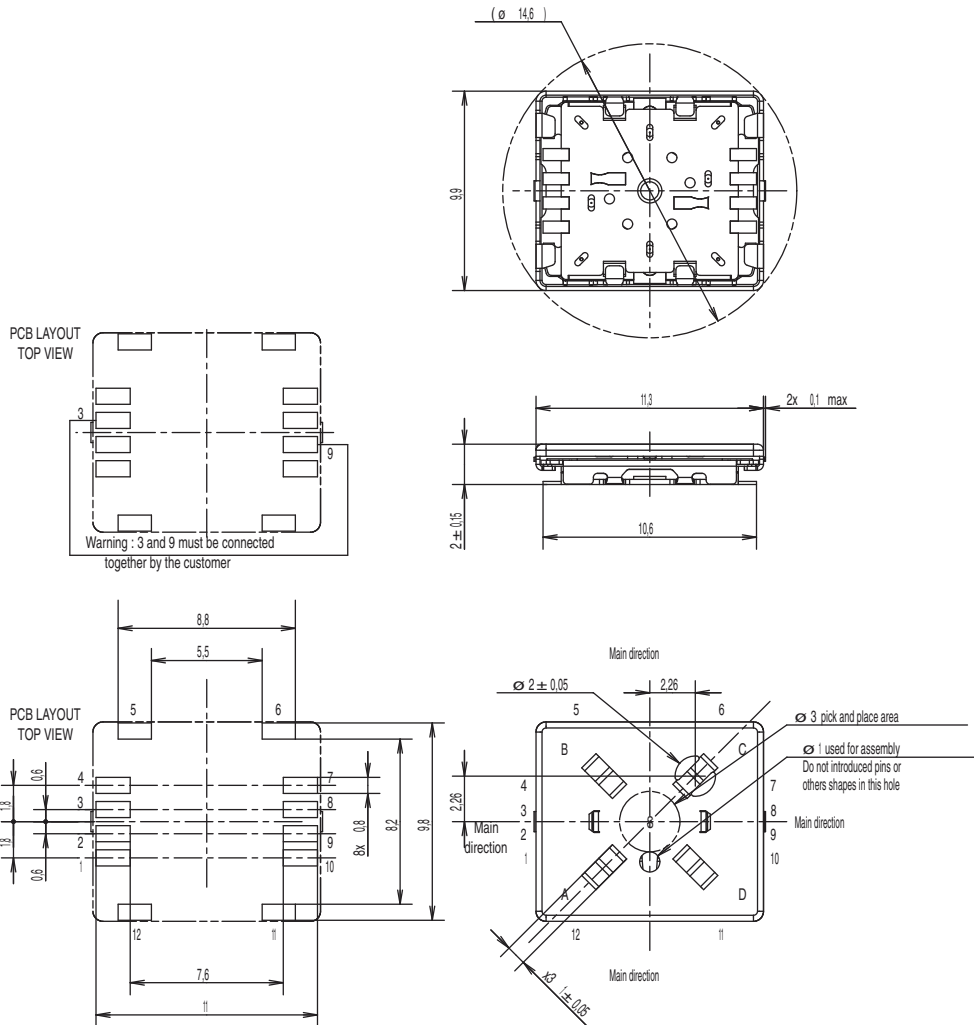
How To Order

Our easy build-a-switch concept allows you to mix and match options to create the switch you need. To order, select desired option from each category and place it in the appropriate box.

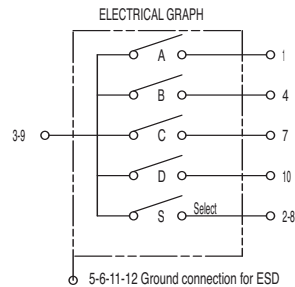


SensoNav® Multi Control SMT Navigation Switch

Dimensions and PCB Layout



Electrical Diagram



For more information about signal management please download our Recommendation of Use: Electronic Integration of the C&K SensoNav Ref./RU-Sensonav-003

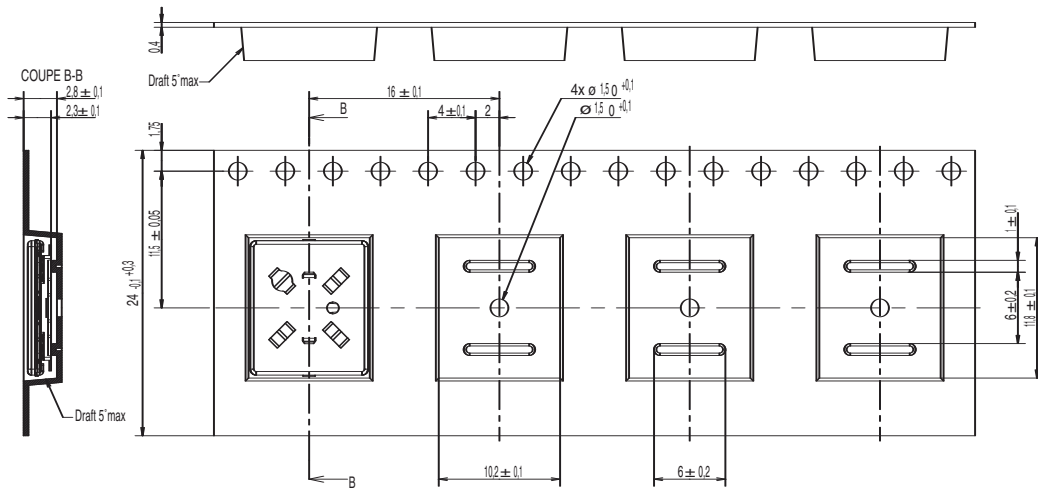


Dimensions are shown: mm
Specifications and dimensions subject to change

www.ck-components.com



Tape and Reel



Navigation