



QUAD NAVIGATION SWITCH ASSEMBLY

○ FEATURES / BENEFITS

- 4-way switch
- Decorated face surface to preference
- Painted & laser etched buttons
- Wire harness with connector
- Back-lit illumination available
- Custom graphics and colors available
- RoHS compliant

○ APPLICATIONS

- GPS
- Off-road vehicles
- Material handling equipment
- Instrumentation panels
- Communications
- Marine

○ SPECIFICATIONS

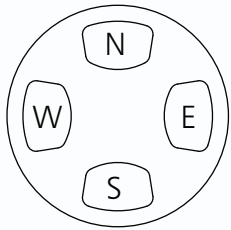
- Operating force: 2N
- Switch life: 30K cycles min.
- Continuous operating voltage: 10-30 VDC
- Switch Current: 50mA Max
- Operating temperature: -40°C to +85°C

○ MATERIALS

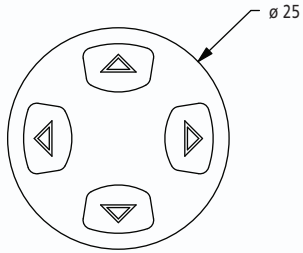
- Housing: Glass filled PBT
- Cover: PBT
- Buttons: PC
- Nut: Brass



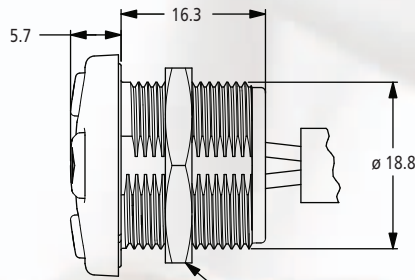
QUAD NAVIGATION SWITCH ASSEMBLY



ALTERNATIVE STANDARD

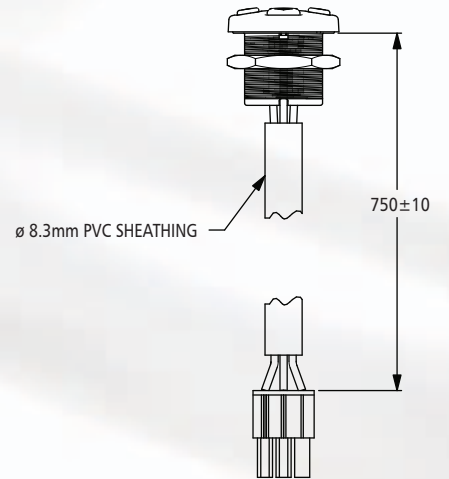


*

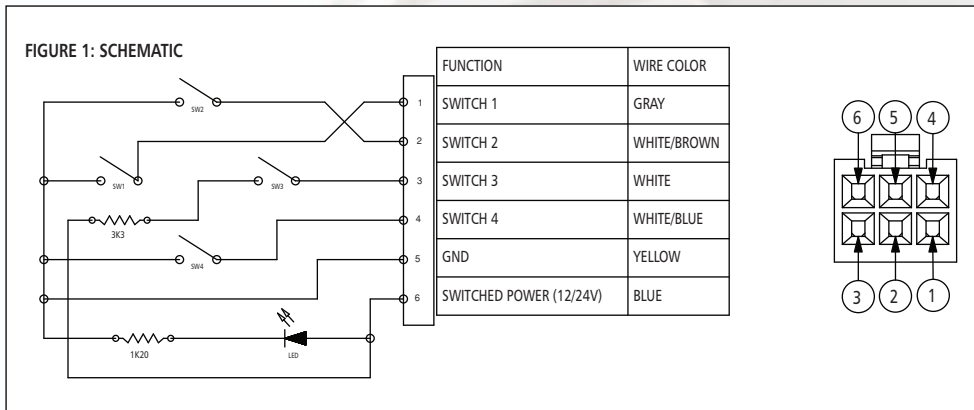


22mm, M19X1 HEX NUT

STANDARD



Alternative lengths available upon request.



Molex MiniFit connector shown.
Custom connectors available.

Please contact Customer Service to request samples or place order

* Custom schematics available