



HP Series Hall Effect Pushbutton Switch **NEW!**

Pushbutton
A

Features/Benefits

- IP68 sealed
- 10,000,000 life cycle
- Multiple colored caps
- Redundant output available

Typical Applications

- Harsh environments
- Off-Road
- Industrial
- Medical
- Transportation
- Joystick control modules
- Gaming
- Military



Specifications

FUNCTION: Linear output (See chart on next page)
MOUNTING TYPE: Front mount, Rear mount

Mechanical

MECHANICAL TRAVEL: 0.150 (3.81mm)
SHOCK: 60g 11ms sawtooth wave
VIBRATION: 10-500Hz 10g max.

Electrical

SUPPLY VOLTAGE: 5 ± 0.5 VDC
SUPPLY CURRENT: 10mA max.
OUTPUT CURRENT: 1mA max.
OUTPUT VOLTAGE: Programable from 0.5 -4.5V
ESD PROTECTION: 16kV per EIA-545

Materials

CASE / BUSHING: Anodized Aluminum
INSIDE HOUSING: PBT
CAP: PBT
ACTUATOR: PBT

Operating Environment

OPERATING TEMPERATURE: -40°C to 85°C
OPERATING LIFE: 10,000,000 cycles
SEALING: IP68S

NOTE: Specifications and materials listed above are for switches with standard options. For information on specific and custom switches, please contact Customer Service.

Build-A-Switch

To order, simply select desired option from each category and place in the appropriate box.



Designation

HP HP Series

Bushing / Mounting Style

- 1** Front mount, 5/8-24 thread
- 2** Rear mount, 5/8-24 thread
- 3** Rear mount, 15/32-32 thread

Cap Style

- 1** ø .625 Dome (front mount only)
- 2** ø .370 Flat

Sensor Configuration

- S** Single Output
- D** Dual Output, Output 2 mirrors Output 1 (see figure 1)

Output Voltage Code

- 1** V1= 1.0V, V2= 4.0V
- 2** V1= 4.0V, V2= 1.0V
- 3** V1= 0.5V, V2= 4.5V
- 4** V1= 4.5V, V2= 0.5V

Termination Style

- W** 12" wire leads, 22 AWG XLPE (26 AWG for Dual Output)

Actuation Force

- S** 2.7lb (12N)

Hardware

- 0** No hardware
- 1** Plated hardware (STD)
- 2** Stainless hardware

Bushing Finish

- 1** Clear anodize
- 2** Black anodize (STD)

Cap Color

- 1** White
- 2** Black (STD)
- 3** Red
- 4** Orange
- 5** Yellow

Please contact Customer Service for additional options.



Specifications and dimensions subject to change

NEW!

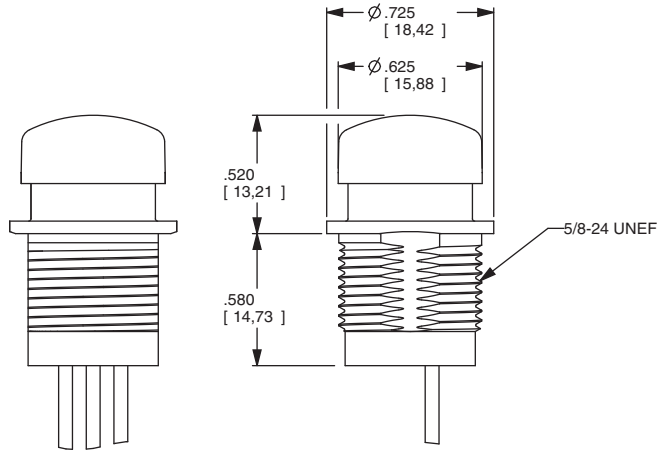
HP Series Hall Effect Pushbutton Switch



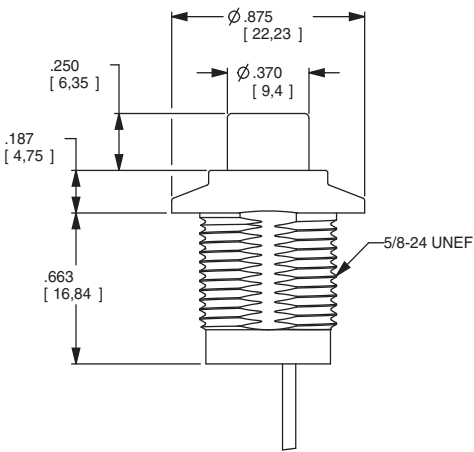
A

Pushbutton

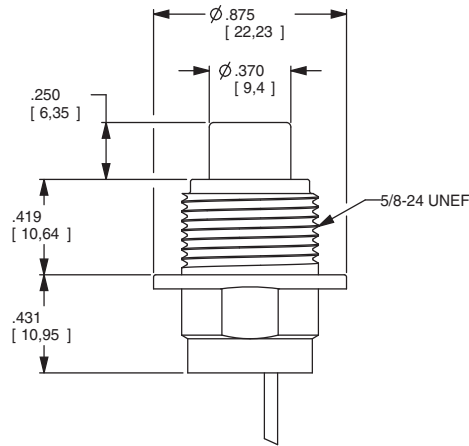
STANDARD VIEW



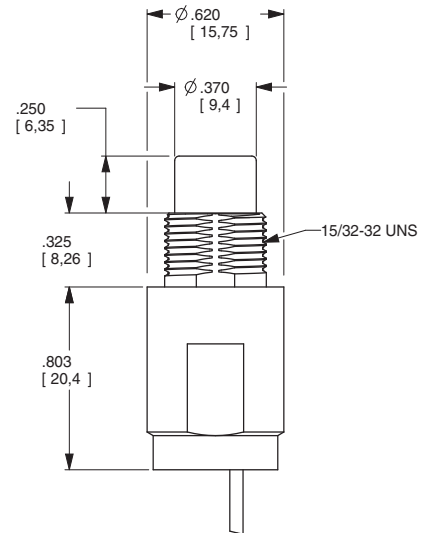
HP11



HP12



HP22



HP32

FIGURE 1: OUTPUT VOLTAGE

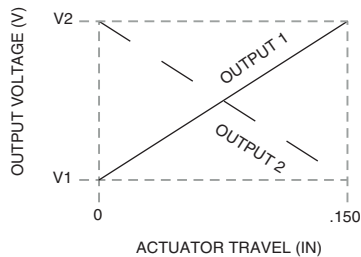
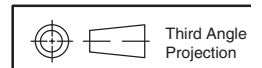
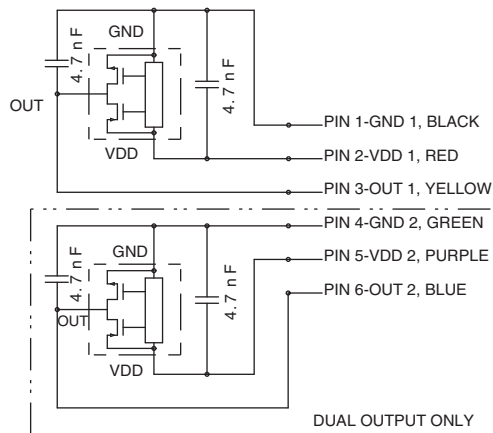


FIGURE 2- SCHEMATIC



Dimensions are shown: Inches (mm)
Specifications and dimensions subject to change

