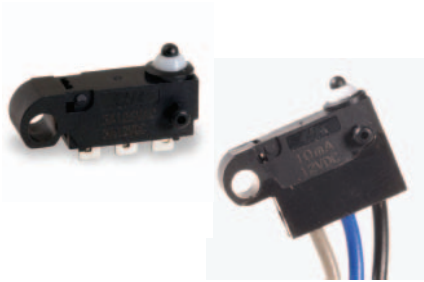


ZMSM Series with Mounting Hole Subminiature Snap-acting Switches (Dust Proof)



Features/Benefits

- Reliable snap-acting mechanism
- Long electrical and mechanical life
- Various PCB terminals and actuators
- RoHS compatible
- IP67 on some models

Typical Applications

- Communication devices
- Testing equipment
- Security/Alarm systems



Specifications

CONTACT RATING: 3A@ 125 V AC / 3A@ 12 V DC, 10 mA@ 12 V DC.
ELECTRICAL LIFE: 300,000 cycles @ 10mA / 100,000 cycles @ 3A, 12V DC, 6,000 cycles @ 3A, 125 VAC
INSULATION RESISTANCE: 100 M ohm min.
DIELECTRIC STRENGTH: 500 Vrms.
OPERATING TEMPERATURE: see chart below.
OPERATING FORCE: 80 or 130 grams.

* Low Level=conditions where no arcing occurs during switching, i.e., 0.4 VA max. @ 20 V AC or DC max.

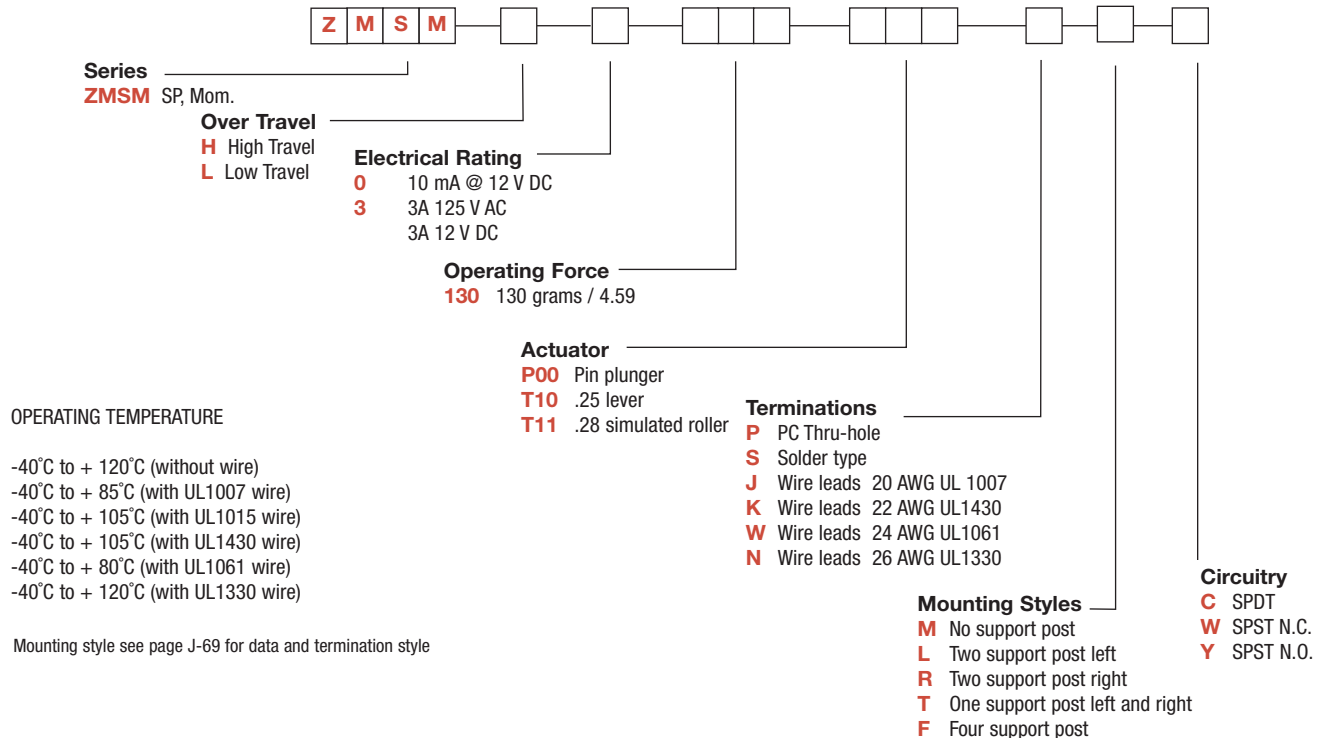
Materials

CASE: Nylon
COVER/ACTUATOR: PBT
MOVABLE CONTACTS: Silver or gold plated.
STATIONARY CONTACTS: Silver or gold plated.
TERMINALS: Brass, tin plated.
LEVER: Stainless steel

NOTE: Specifications and materials listed above are for switches with standard options. For information on specific and custom switches, consult Customer Service Center.

Build-A-Switch

To order, simply select desired option from each category and place in the appropriate box. Available options are shown and described on pages J-67 and J-68. For additional options not shown in catalog, consult Customer Service Center.



Snap-acting

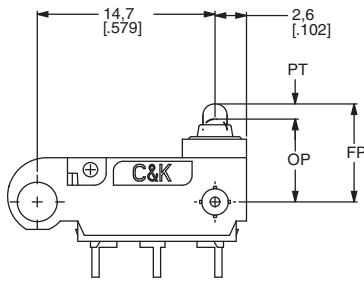


Dimensions are shown: mm (inch)
Specifications and dimensions subject to change

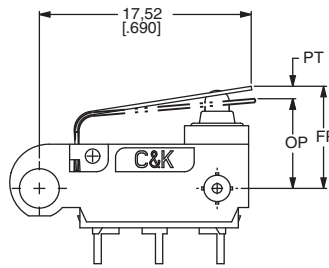
ZMSM Series with Mounting Hole Subminiature Snap-acting Switches (Dust Proof)

ACTUATOR

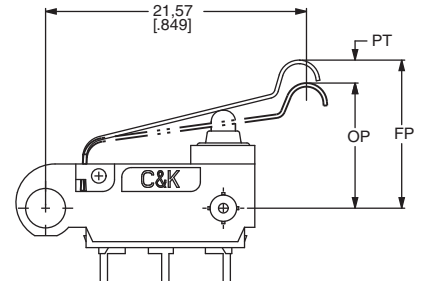
P00 PIN PLUNGER



T10 .25 LEVER



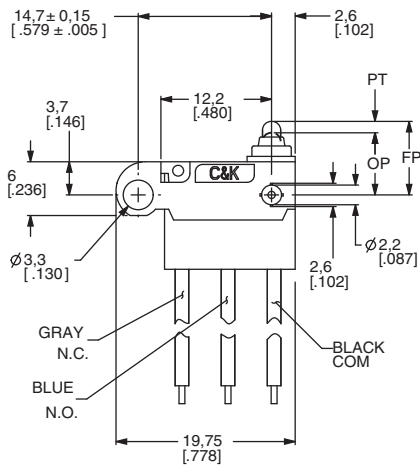
T11 LEVER



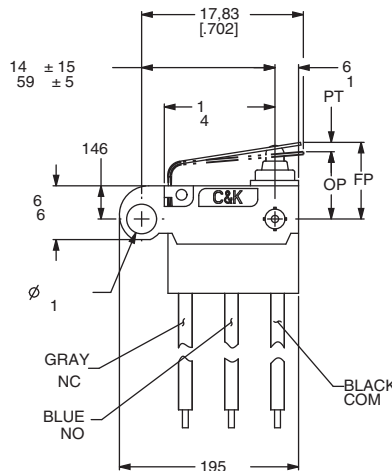
SWITCH CHARACTERISTICS

Actuator code	Maximum Operate Force (grams/oz.)	Minimum Release Force (grams/oz.)	Free Position Max (mm)	Maximum Pre-travel (mm)	Operate Position (mm) ±0.3	Maximum Differential (mm)	Minimum Overtravel (mm)
P00	130 4.59	13 0.45	8.20	0.8	6.75	0.3	0.8
T10	195 6.88	55 1.93	11.55	3.85	7.50	0.5	1.35
T11	160 5.64	45 1.58	14.65	4.8	9.90	0.7	1.65

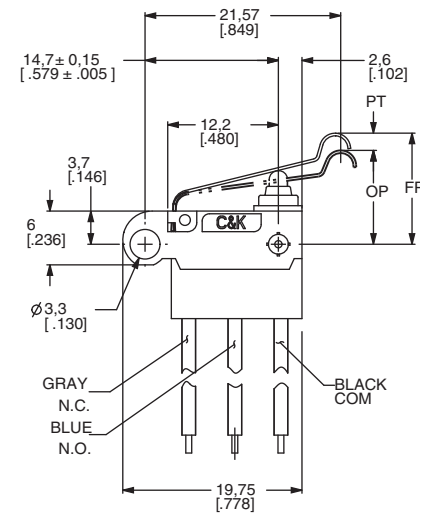
P00 PIN PLUNGER



T10 .25 LEVER



T11 .28 LEVER



SWITCH CHARACTERISTICS "J" TERMINATION ONLY

Actuator code	Maximum Operate Force (grams/oz.)	Minimum Release Force (grams/oz.)	Free Position Max (mm)	Maximum Pre-travel (mm)	Operate Position (mm) ±0.3	Maximum Differential (mm)	Minimum Overtravel (mm)
P00	130 4.59	13 0.45	8.20	0.8	6.75	0.3	0.8
T10	195 6.88	55 1.93	11.55	3.85	7.50	0.5	1.35
T11	160 5.64	45 1.58	14.65	4.8	9.90	0.7	1.65



Snap-acting



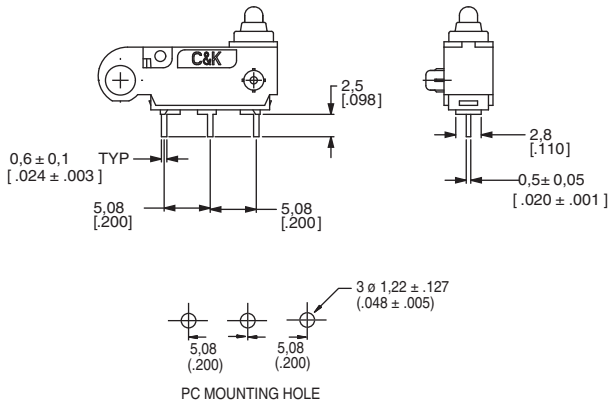
Third Angle Projection
Dimensions are shown: mm (inch)
Specifications and dimensions subject to change



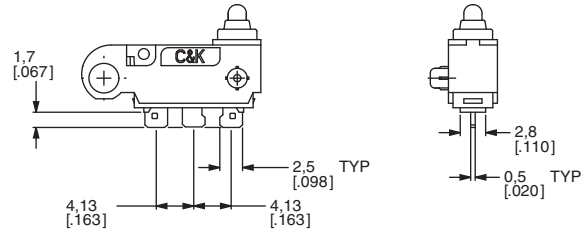
ZMSM Series with Mounting Hole Subminiature Snap-acting Switches (Dust Proof)

TERMINATIONS

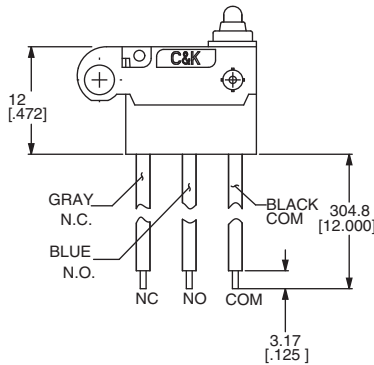
P PC THRU-HOLE



S SOLDER TYPE



J WIRE LEADS BOTTOM (IP67)



Standard Wire: 20 AWG UL 1007

Available options - must specify

22AWG UL1430

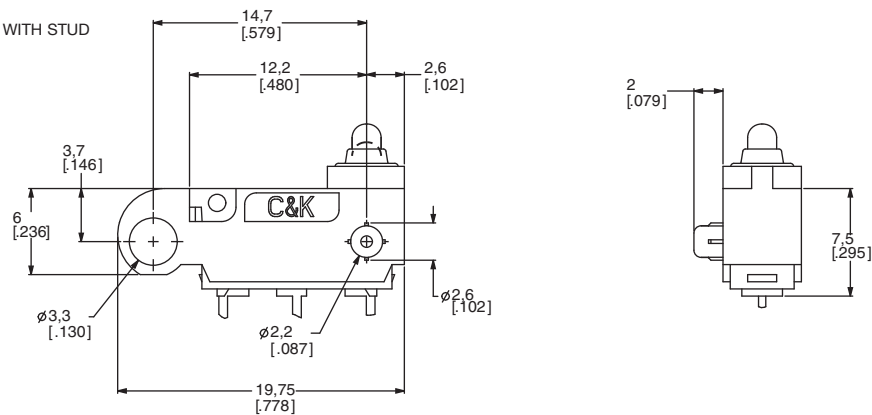
24AWG UL1061

26AWG UL1330

Snap-acting

MOUNTING STYLES

M 3.30 DIAMETER MOUNTING HOLE WITH STUD



CIRCUITRY

C SPDT (Single Pole, Double Throw)

W SPST, NC (Single Pole, Single Throw, Normally Closed)

Y SPST, NO (Single Pole, Single Throw, Normally Open)



Dimensions are shown: mm (inch)

Specifications and dimensions subject to change

